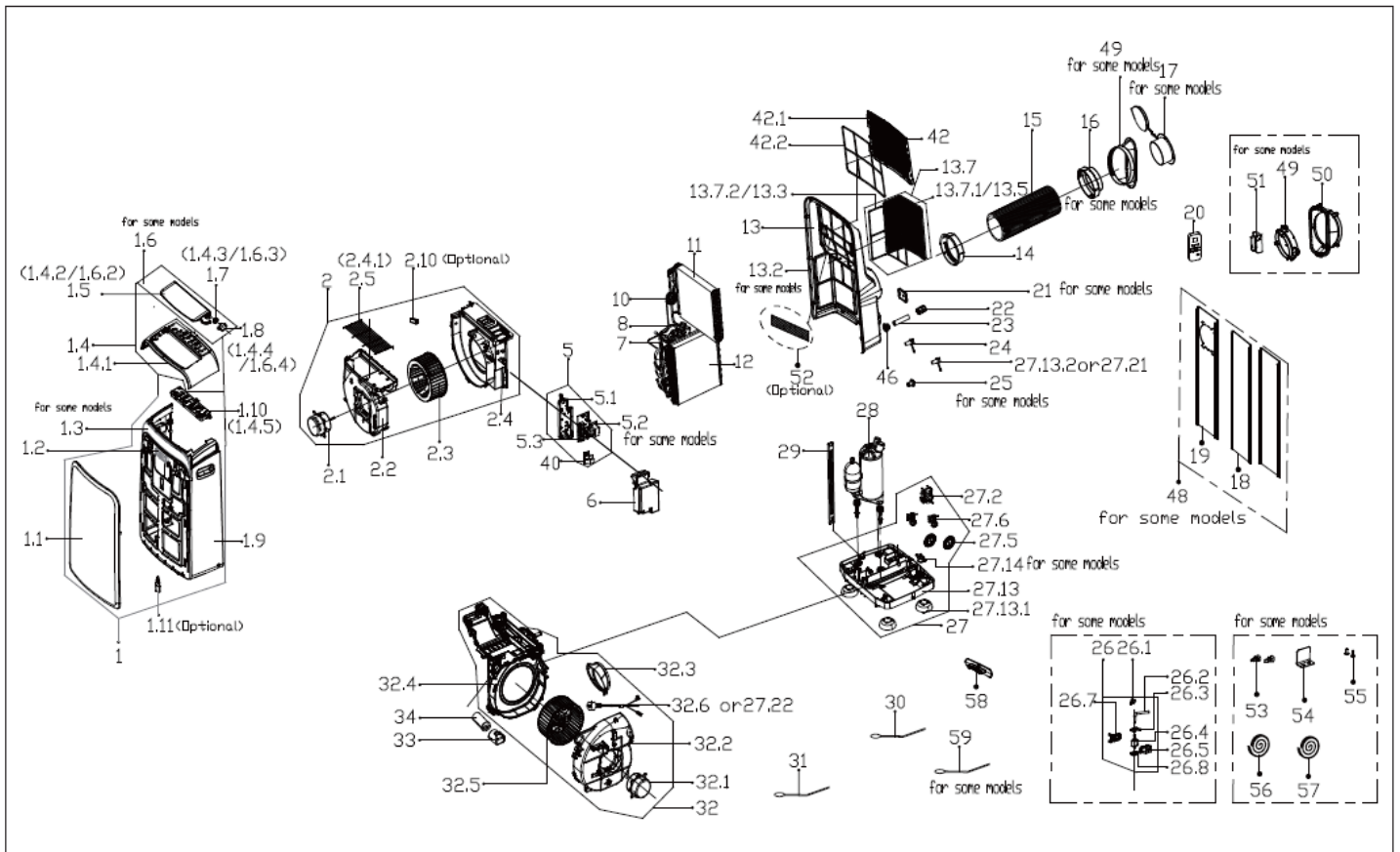




IPSD122 - Climatiseur portable - Vue éclatée (page 1/2)



IPSD122	Pièces détachées (page 1/2)		
	Code	Pièces	Quantité
1	12120600A41027	Front Panel Assembly	1
1.1	12120600001078	Front panel	1
1.2	17120600000020	Signal Receiving Board Subassembly	1
1.3	12120600000759	Adorn board	1
1.4	12120600004383	Upper panel subassembly	1
1.4.1	12120600001249	Upper panel	1
1.4.2	12120600000009	Horizontal louver	1
1.7	12120600000004	Gear	1
1.8	11002010000176	Stepper Motor	1
1.9	12120600002939	Middle Panel	1
1.10	17220600A05093	Display board subassembly	1
1.11	17310900003163	WiFi Module Assembly	1
2	12120600007085	Cover of Air exhaust volute shell assembly	1
2.1	11002012031334	Single Phase Asynchronous Motor	1
2.2	12120600007004	Air outlet volute shell	1
2.3	12100103000099	Centrifugal Fan	1
2.4	12120600007064	Subassembly of Fan Shell Cover	1
2.4.1	12220600001002	Outdoor Air Inlet Grille	1
5	172206000002548	Electronic control box subassembly	1
5.1	12120600005863	Electronic control box subassembly	1
5.3	17120600002890	Main control board subassembly	1
6	12120600004045	E-Box Cover	1
7	15120600002897	Suction pipe assembly	1
8	15120600002244	Discharge pipe assembly	1
10	15120600002997	Capillary assembly	1



IPSD122 - Climatiseur portable - Vue éclatée (page 2/2)

IPSD122	Pièces détachées (page 2/2)		
	Code	Pièces	Quantité
11	15820600001397	Evaporator assembly	1
12	15820600000777	Condenser Assembly	1
13	12120600005709	Rear Panel assembly	1
13.7	12120600000563	Outside Inlet Air Frame Unit Assembly	1
13.7.1	12120600005705	Outside Inlet Air Frame Unit	1
13.7.2	12120600000721	Outside Filter	1
14	12120600003049	Connector Air Exhaust Duct	1
15	12120600A12675	Flexible Air Exhaust Hose	1
16	12120600004205	Connector Air Exhaust Duct	1
17	12120600004223	Connector Air Exhaust Duct	1
18	12120600004203	Window Sealing Board	1
19	12120600004204	Window Sealing Board	1
20	17317000A74146	Remote Controller	1
22	12122000026165	Cover of Drain Connector(Outdoor)	1
23	12100590000040	Drain Hose	1
24	12600801000036	Drain Stopper	1
27	12120600006066	Chassis assembly	1
27.2	11002017000546	Shaded-Pole Motor	1
27.5	12120600000251	Water Wheel	1
27.5	12120600004464	Water Wheel	1
27.6	17400511000164	Water Level Switch	1
27.13	12120600006383	Chassis subassembly	1
27.13.1	12620600000019	Universal Wheel	4
27.22	17401202006026	European standard power cord	1
28	11103010019255	Fixed Speed Rotary Compressor	1
29	12220600000082	Supporting bar	1
30	11201007003439	Pipe Temperature Sensor	1
31	11201007003423	Room Temperature Sensor	1
32	12120600007086	Middle partition board assembly	1
32.1	11002012030726	Single Phase Asynchronous Motor	1
32.2	12120600005628	Cover of Air exhaust volute shell assembly	1
32.3	12120600005627	Exhaust Fixed Joint Component Subassembly	1
32.4	12120600007006	Partition board subassembly	1
32.5	12100103A00062	Centrifugal Fan	1
33	12100601000126	Capacitor box	1
34	17400103000055	Compressor Capacitor	1
40	17122000042259	Capacitor auxiliary board subassembly	1
42	12120600006423	Inside inlet air frame unit assembly	1
42.1	12120600005704	Indoor Air Inlet Grille	1
42.2	12100204000257	Inside Filter	1
49	12120600A12674	Connector, Air Exhaust Duct	1
53	12100801000019	Support Bar	1
54	12220300000863	Installation Plate	1
55	11303125000177	Tapping Screw	2
56	12420600000419	Sponge	1
57	12400202000863	Sponge	2
58	12120600005706	Bobbin winder	1