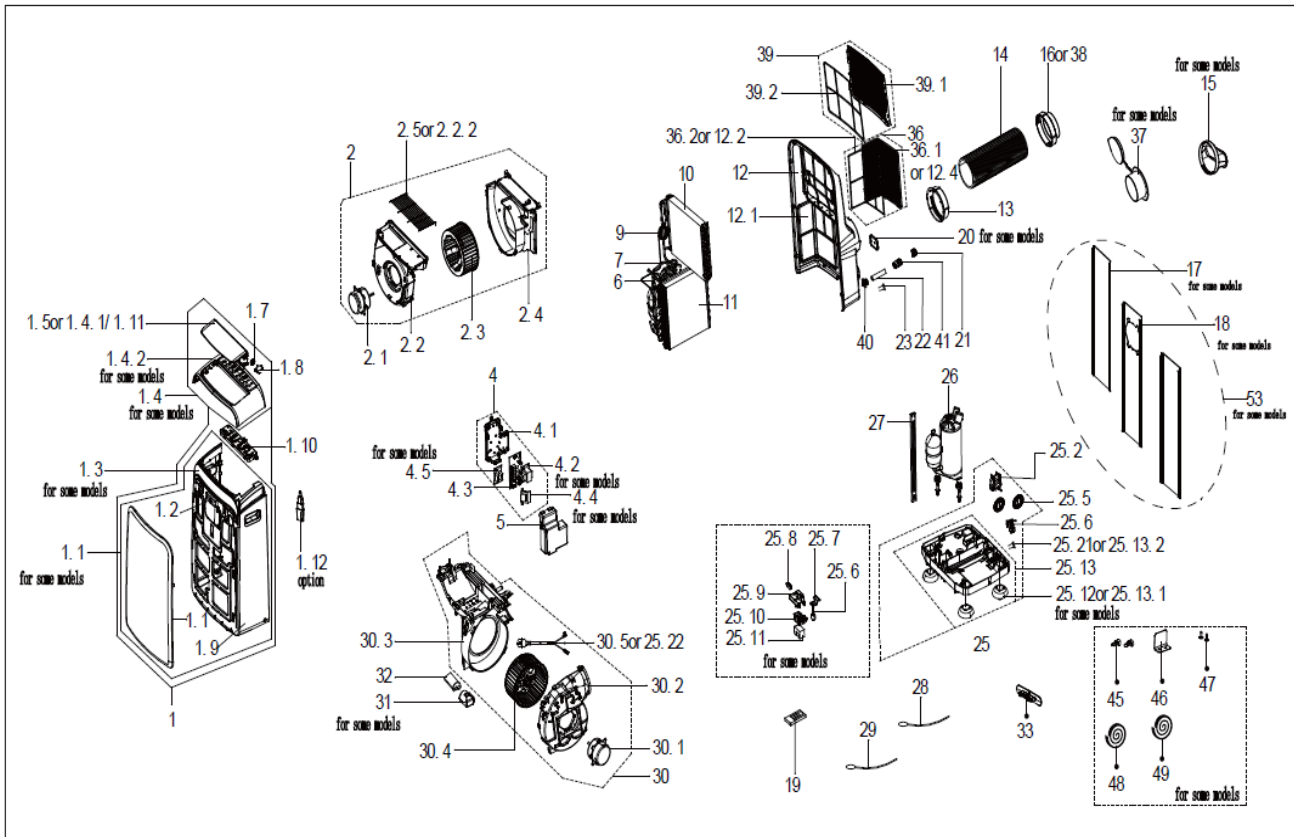




## IPSD092 - Climatiseur portable - Vue éclatée (page 1/2)



IPSD092	Pièces détachées (page 1/2)		
	Code	Pièces	Quantité
1	12120600A41007	Front Panel Assembly	1
1.1	12120600001065	Front panel	1
1.2	17120600000020	Signal Receiving Board Subassembly	1
1.3	121206000000751	Adorn board	1
1.4	12120600004384	Upper panel subassembly	1
1.4.1	121206000000007	Horizontal louver	1
1.4.2	12120600001244	Upper panel	1
1.7	121206000000004	Gear	1
1.8	11002010000176	Stepper Motor	1
1.9	121206000000749	Middle Panel	1
1.10	17220600A05093	Display board subassembly	1
1.12	17310900003163	WiFi Module Assembly	1
2	12120600004512	Cover of Air exhaust volute shell assembly	1
2.1	11002012031334	Single Phase Asynchronous Motor	1
2.2	12120600006424	subassembly of Fan Shell Cover	1
2.2.2	12220600001002	Outdoor Air Inlet Grille	1
2.3	12100103000044	Centrifugal Fan	1
2.4	12120600004446	Air Volute Subassembly	1
4	17220600002549	Electronic control box subassembly	1
4.1	12120600005863	Electronic control box subassembly	1
4.3	7120600002890	Main control board subassembly	1
5	12120600004045	E-Box Cover	1
6	15120600002360	Suction pipe assembly	1
7	15120600002717	Discharge pipe assembly	1
9	15120600002639	Capillary assembly	1
10	15820600000836	Evaporator Assembly	1
11	15820600000877	Condenser assembly	1
12	12120600006426	Rear Panel Assembly	1
12.1	12120600005708	Rear panel	1
12.2	12120600000661	Inside Filter	1
12.4	12120600005703	Outside inlet air frame unit	1



## IPSD092 - Climatiseur portable - Vue éclatée (page 2/2)

IPSD092	Pièces détachées (page 2/2)		
	Code	Pièces	Quantité
13	12120600003049	Connector Air Exhaust Duct	1
14	12120600A12675	Flexible Air Exhaust Hose	1
16	12120600A12674	Connector, Air Exhaust Duct	1
17	12120600004203	Window Sealing Board	1
18	12120600004204	Window Sealing Board	1
19	17317000A74146	Remote Controller	1
21	12122000026164	Cover of Drain Connector(Outdoor)	1
22	12100509000040	Drain Hose	1
23	12600801000048	Drain Stopper	1
25	12120600006043	Chassis assembly	1
25.2	11002017000546	Shaded-Pole Motor	1
25.5	12120600000251	Water Wheel	1
25.5	12120600004464	Water Wheel	1
25.6	17400511000164	Water Level Switch	1
25.13	12120600004163	Chassis subassembly	1
25.13.1	12620600000019	Universal Wheel	4
25.21	12600801000048	Drain Stopper	1
25.22	17401202006026	European standard power cord	1
26	11103010001362	Fixed Speed Rotary Compressor	1
27	12220600000075	Supporting bar	1
28	11201007003442	Pipe Temperature Sensor	1
29	11201007003425	Pipe Temperature Sensor	1
30	12120600006044	Air outlet volute shell assembly	1
30.1	11002012030726	Single Phase Asynchronous Motor	1
30.2	12120600007863	Cover subassembly of air exhaust volute shell	1
30.3	12120600005470	Partition board subassembly	1
30.4	12100103000069	Centrifugal Fan	1
31	12120600001477	Capacitor box	1
32	17400103000011	Compressor Capacitor	1
33	12120600005706	Bobbin winder	1
37	12120600004223	Connector, Air Exhaust Duct	1
38	12120600004205	Connector, Air Exhaust Duct	1
39	12120600000598	inside inlet air frame unit assembly	1
39.1	12120600005707	Indoor air inlet grille	1
39.2	12100204000251	Inside Filter	1
40	12120600001495	Drain Connection	1
41	12122000026165	Cover of Drain Connector(Outdoor)	1
45	12100801000019	Support Bar	1
46	12220300000863	Installation Plate	1
47	11303125000177	Tapping Screw	2
48	12420600000419	Sponge	1
49	12400202000863	Sponge	1