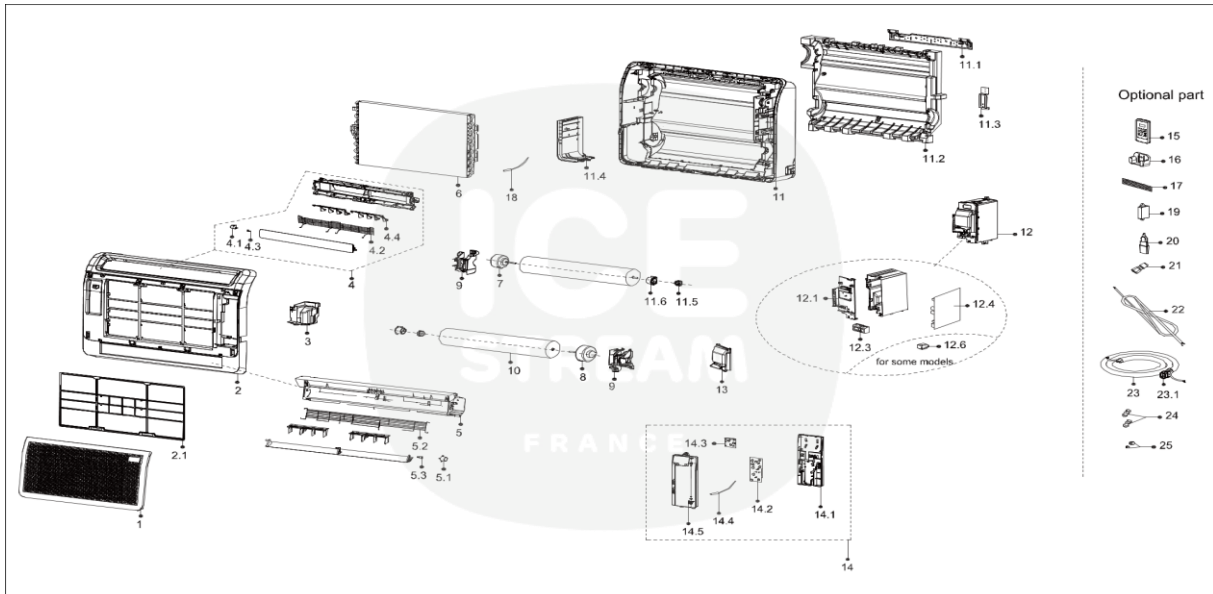




IFSC182DRIV2 - Unité intérieure - Vue éclatée/ Indoor Unit - Exploded View



IFSC182DRIV2	Pièces détachées/ Spare parts		
	Code	Pièces / Part Name	Quantité
1	12122600A03264	Panel assembly	1
2	12122600000288	Panel frame subassembly	1
2.1	12122600000311	Air filter	1
3	12122600000309	Auxiliary water pan	1
4	12122600000306	Upper air outlet frame assembly	1
4.1	11002010001486	Stepper Motor	1
4.2	12922000002792	Rear net	1
4.3	12122000000344	Electricity Preventing Axis	1
4.4	12122600000310	Top wind guide blade	2
5	12122600000287	Lower air outlet frame assembly	1
5.1	11002010001106	Stepper Motor	1
5.2	12922000002791	Rear net	1
5.3	12122000000344	Electricity Preventing Axis	1
6	15822600000167	Evaporator assembly	1
7	11002015008751	Brushless DC Motor	1
8	11002015016692	Brushless DC Motor	1
9	12122600000290	The motor cover	2
10	12100102000876	Cross flow fan	2
11	12122600000307	Chassis assembly	1
11.1	12222600000129	Installation board	1
11.2	12822600000024	Chassis foam	1
11.3	12222600000148	Installation board	1
11.4	12122600000289	mounting cover plate	1
11.5	12622000000131	Bearing Block Assembly	2
11.6	12122000000350	Bearing Sleeve	2
12	17222700A03775	Electronic control box subassembly	1
12.1	12122000025067	Cover of electronic control box	1
12.3	17400401000576	Wire Joint	1
12.4	17122700002315	Main control board subassembly	1
13	12122000025064	Cover Board For Wiring	1
14	17222700A03854	display panel subassembly	1
14.1	12122600000305	Display lamp box	1
14.2	17122700A02807	Display board subassembly	1
14.3	17120100000394	Humidity Sensor Subassembly	1
14.4	11201007003103	Room Temperature Sensor	1
14.5	12122600000286	display panel subassembly	1
15	17317000A61887	Remote controller	1
16	12122000029201	Bracket of Remote Controller	1
17	12100204000685	Cold Catalyst Air Filter	2
18	11201007003437	Pipe Temperature Sensor	1