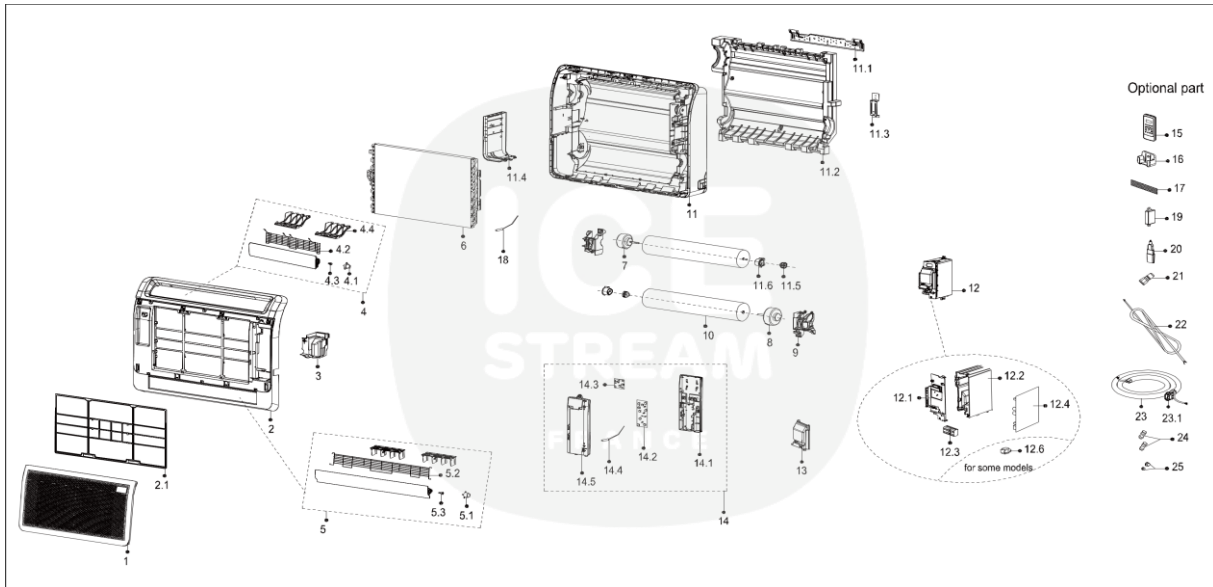




## IFSC122DRIV2 - Unité intérieure - Vue éclatée/ Indoor Unit - Exploded View



| IFSC122DRIV2 | Pièces détachées/ Spare parts |                                    |          |
|--------------|-------------------------------|------------------------------------|----------|
|              | Code                          | Pièces / Part Name                 | Quantité |
| 1            | 12122600A03264                | Panel assembly                     | 1        |
| 2            | 12122600000288                | Panel frame subassembly            | 1        |
| 2.1          | 12122600000311                | Air filter                         | 1        |
| 3            | 12122600000309                | Auxiliary water pan                | 1        |
| 4            | 12122600000306                | Upper air outlet frame assembly    | 1        |
| 4.1          | 11002010001486                | Stepper Motor                      | 1        |
| 4.2          | 12922000002792                | Rear net                           | 1        |
| 4.3          | 12122000000344                | Electricity Preventing Axis        | 1        |
| 4.4          | 12122600000310                | Top wind guide blade               | 2        |
| 5            | 12122600000287                | Lower air outlet frame assembly    | 1        |
| 5.1          | 11002010001106                | Stepper Motor                      | 1        |
| 5.2          | 12922000002791                | Rear net                           | 1        |
| 5.3          | 12122000000344                | Electricity Preventing Axis        | 1        |
| 6            | 15822600000147                | Evaporator assembly                | 1        |
| 7            | 11002015008751                | Brushless DC Motor                 | 1        |
| 8            | 11002015016692                | Brushless DC Motor                 | 1        |
| 9            | 12122600000290                | The motor cover                    | 2        |
| 10           | 12100102000876                | Cross flow fan                     | 2        |
| 11           | 12122600000307                | Chassis assembly                   | 1        |
| 11.1         | 12222600000129                | Installation board                 | 1        |
| 11.2         | 12822600000024                | Chassis foam                       | 1        |
| 11.3         | 12222600000148                | Installation board                 | 1        |
| 11.4         | 12122600000289                | mounting cover plate               | 1        |
| 11.5         | 12622000000131                | Bearing Block Assembly             | 2        |
| 11.6         | 12122000000350                | Bearing Sleeve                     | 2        |
| 12           | 17222700A03776                | Electronic control box subassembly | 1        |
| 12.1         | 12122000025067                | Cover of electronic control box    | 1        |
| 12.3         | 17400401000576                | Wire Joint                         | 1        |
| 12.4         | 17122700002295                | Main control board subassembly     | 1        |
| 13           | 12122000025064                | Cover Board For Wiring             | 1        |
| 14           | 17222700A03854                | display panel subassembly          | 1        |
| 14.1         | 12122600000305                | Display lamp box                   | 1        |
| 14.2         | 17122700A02807                | Display board subassembly          | 1        |
| 14.3         | 17120100000394                | Humidity Sensor Subassembly        | 1        |
| 14.4         | 11201007003103                | Room Temperature Sensor            | 1        |
| 14.5         | 12122600000286                | display panel subassembly          | 1        |
| 15           | 17317000A61887                | Remote controller                  | 1        |
| 16           | 12122000029201                | Bracket of Remote Controller       | 1        |
| 17           | 12100204000685                | Cold Catalyst Air Filter           | 2        |
| 18           | 11201007003437                | Pipe Temperature Sensor            | 1        |