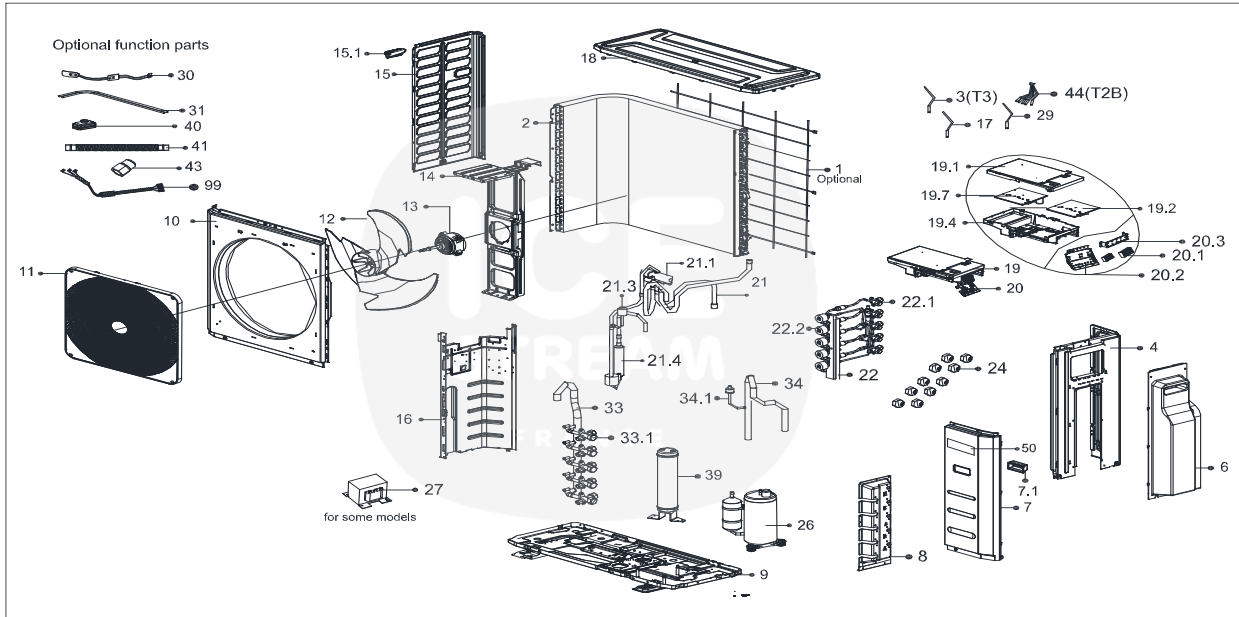




IMS5X120DRV2 - Unité extérieure - Vue éclatée/ Outdoor Unit - Exploded View



IMS5X120DRV2	Pièces détachées/ Spare parts		
	Code	Pièces / Part Name	Quantité
1	1222200006604	Rear net	1
2	15822000014414	Condenser Assembly	1
3	11201007003442	Pipe Temperature Sensor	1
4	12222000012226	Rear Right Clapboard Assembly	1
6	12122300000090	Shield	1
7	12222500000633	Front Right Clapboard Assembly	1
7.1	12100702000038	Handle	1
8	12222000005272	Valve plate	1
9	12222000006984	Chassis assembly	1
10	12222000004983	Front panel	1
11	12122000020245	Air-Out Mesh Enclosure	1
12	12100105000084	Axial Flow Fan	1
13	11002015000247	Brushless DC Motor	1
14	12222500000547	Supporter subassembly of fan motor	1
15	12222500000539	Left Side Plate Assembly of Cabinet	1
15.1	12100701000033	Small handle	1
16	12222000007815	Partition board assembly	1
17	11201007003423	Room Temperature Sensor	1
18	12222500000587	Top Cover Assembly	1
19	17222000A66475	Electronic control box subassembly	1
19.1	12122200002719	Electronic Installing Box Subassembly	1
19.2	17122300006298	Outdoor main control board subassembly	1
19.4	12122200002715	Electronic Installing Box Subassembly	1
19.7	17122000058664	Inverter module subassembly	1
20	17222300000690	Terminal board subassembly	1
20.1	17400401000084	Terminal	2
20.2	12222300000033	Terminal Board	1
20.3	12222300000032	Terminal Board	1
21	15422000019552	4-way valve assembly	1
21.1	15500216000361	Four-Way Valve	1
21.3	17400516000851	Pressure Controller	1
21.4	15122000027837	Muffler subassembly	1
22	15422300000385	Liquid valve assembly	1
22.1	15500208000028	Liquid Valve	5
22.2	15500213000046	Electronic Expansion Valve Subassembly	5
24	15500406000010	Copper nut	4
24	15500406000012	Flare Nut	1
24	15500406000016	Copper nut	5
26	11103020000719	DC Inverter Rotary Compressor	1
27	17400306001683	Reactor	1