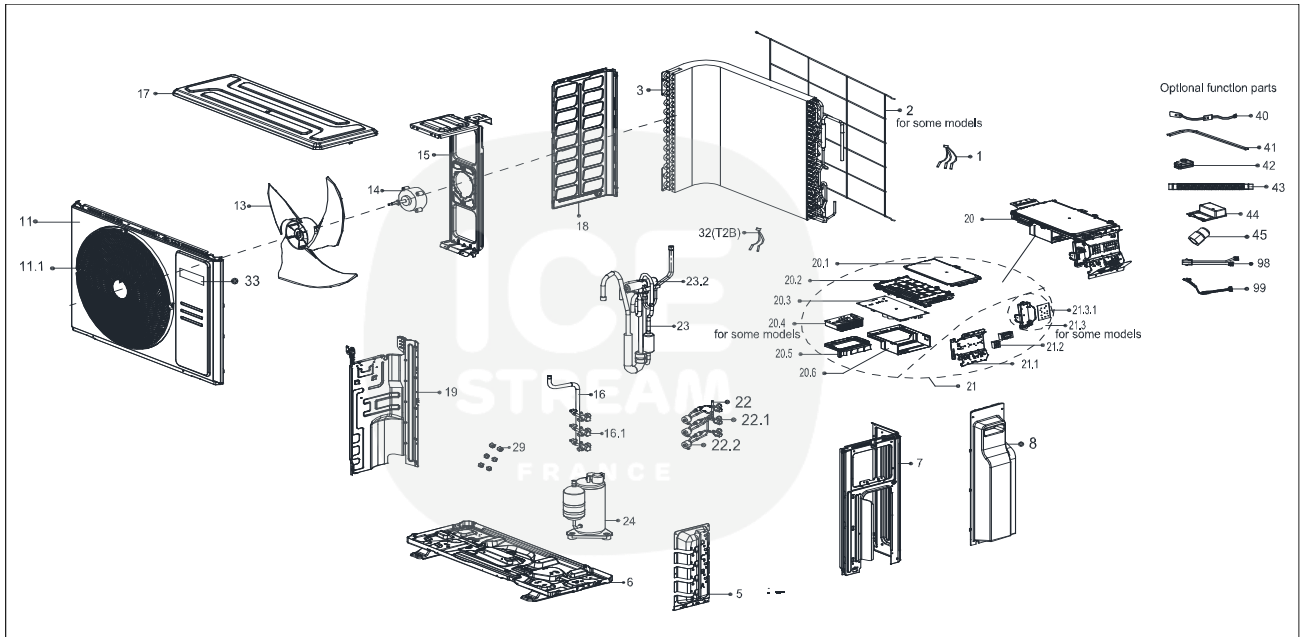




## IMS3X78DRV2 - Unité extérieure - Vue éclatée/ Outdoor Unit - Exploded View



IMS3X78DRV2	Pièces détachées/ Spare parts		
	Code	Pièces / Part Name	Quantité
1	11201011000187	Combination Sensor	1
2	12222000013085	Rear Net	1
3	15822000009796	Condenser assembly	1
5	12222000015070	Valve plate	1
6	12222000015245	Chassis assembly	1
7	12222000015065	Right Clapboard Assembly	1
8	12122000029121	Big handle	1
11	12222000013505	Front panel	1
11.1	12122000028421	Air-Out Mesh Enclosure	1
13	12100105000841	Axial Flow Fan	1
14	11002015000366	Brushless DC Motor	1
15	12222000012371	Motor Bracket	1
16	15422000020135	Gas valve assembly	1
16.1	15500204000021	Gas Valve	3
17	12222200005737	Top Cover Assembly	1
18	12222000018448	Left side plate assembly of cabinet	1
19	12222000015066	Partition board assembly	1
20	17222300A03107	Electronic control box subassembly	1
20.1	12222000015067	Cover of electronic control box	1
20.2	12122000028843	Electronic installing box	1
20.3	17122300006295	Main control board subassembly	1
20.5	12122000028844	Support of electronic control box	1
20.6	12222000015068	Electronic installing box subassembly	1
21	17222000037121	Terminal board subassembly	1
21.1	12222000015069	Terminal board	1
21.2	17400401000097	Wire Joint	1
21.2	17400401000065	Terminal	1
21.3	17222000035178	Key board box subassembly	1
21.3.1	17122000053510	Key board subassembly	1
22	15422000020134	Liquid valve assembly	1
22.1	15500208000028	Liquid Valve	3
22.2	15500213001909	Electronic Expansion Valve	3
23	15422000020833	4-way valve assembly	1
23.2	15500216000361	Four-Way Valve	1
24	11103020004360	DC Inverter Rotary Compressor	1
29	15500406000010	Copper nut	3
29	15500406000016	Copper nut	3
32	11201007000044	Pipe Temperature Sensor	1
40	17402001000603	Crankcase Electric Heating Strip	1
41	17402002000544	tube type electric heater	1