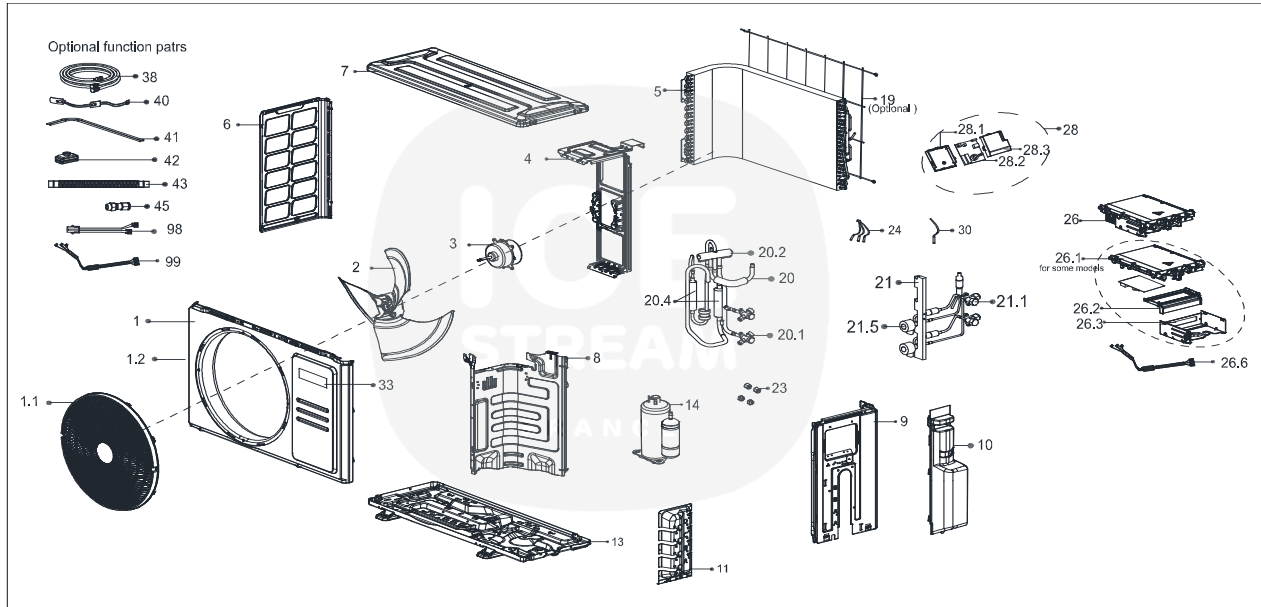




IMS2X52DRV2 - Unité extérieure - Vue éclatée/ Outdoor Unit - Exploded View



IMS2X52DRV2	Pièces détachées/ Spare parts		
	Code	Pièces / Part Name	Quantité
1	12222000013385	Front panel assembly	1
1.1	12122000026241	Air-Out Mesh Enclosure	1
1.2	12222000013386	Front panel	1
2	12100105000881	Axial Flow Fan	1
3	11002015012128	Brushless DC Motor	1
4	12222000013200	Motor Bracket	1
5	15822000013786	Condenser assembly	1
6	12222000013197	Left Side Panel	1
7	12222000013193	Top Cover Assembly	1
8	12222000014125	Partition board assembly	1
9	12222000015285	Right clapboard assembly	1
10	12122000029141	Protection net assembly	1
11	12222000018190	Valve plate	1
13	12222000013204	Chassis Assembly	1
14	11103020006459	DC Inverter Rotary Compressor	1
19	12222000013667	Rear net	1
20	15422000020855	4-way valve assembly	1
20.1	15500204000021	Gas Valve	2
20.2	15500216001783	4-way valve	1
20.4	15122000029285	Muffler subassembly	1
20.4	15500506000007	Muffler	1
21	15422000020172	Liquid valve assembly	1
21.1	15500208000028	Liquid Valve	2
21.5	15500213001909	Electronic Expansion Valve	2
23	15500406000010	Copper nut	2
23	15500406000016	Copper nut	2
24	11201011000067	Combination Sensor	1
26	17222000037155	Electronic control box subassembly	1
26.1	12122000024223	Support of Electronic Control Box	1
26.2	12122000024222	Fixing board	1
26.3	12222000012106	Electronic Installing Box Subassembly	1
26.6	17401203004617	Compressor wire subassembly	1
28	17222000040312	Terminal board subassembly	1
28.1	12122000014221	Electronic Installing Box	1
28.2	17122000058518	Inverter module subassembly	1
28.3	12122000014222	Cover of Electronic Control Box	1
30	11201007000259	Pipe Temperature Sensor	1
40	17402001000603	Crankcase Electric Heating Strip	1
41	17402002000464	Electric heating tube	1
43	12100509000059	Drain Hose	1