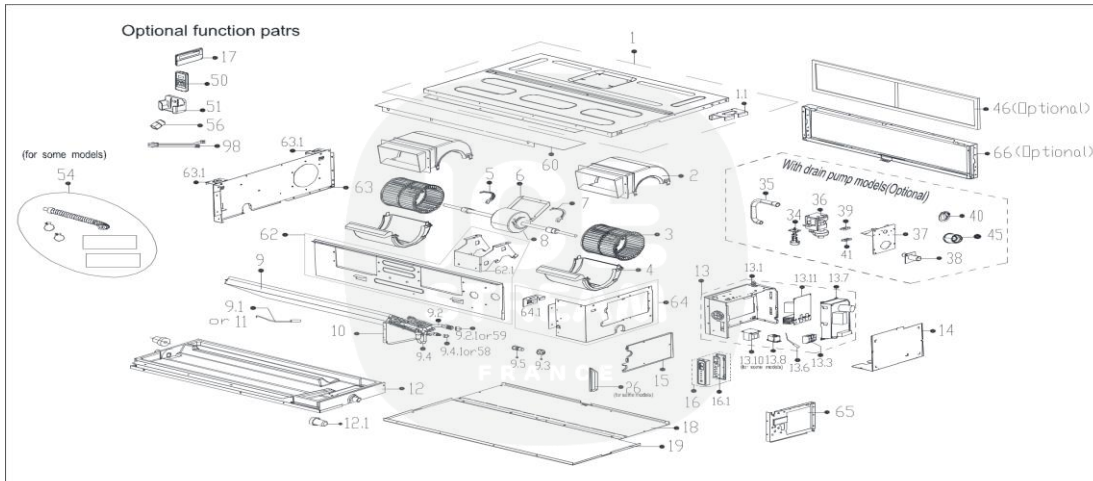




IDSV602DRIV2 - Unité intérieure - Vue éclatée/ Indoor Unit - Exploded View



| IDSV602DRIV2 | Pièces détachées/ Spare parts | | |
|--------------|-------------------------------|--|----------|
| | Code | Pièces / Part Name | Quantité |
| 1 | 12223000008649 | Chassis subassembly | 1 |
| 1.1 | 12223000012926 | Hook | 1 |
| 2 | 12123000000941 | top volute | 2 |
| 3 | 12100103000664 | centrifuge fan | 2 |
| 4 | 12123000002520 | Lower volute assembly | 2 |
| 5 | 12222500000253 | Fan Motor Axes Clamp (Left) | 1 |
| 6 | 12223000006639 | Fan motor fixing board | 1 |
| 7 | 12222500000255 | Cover | 1 |
| 8 | 11002015003861 | Brushless DC Motor | 1 |
| 9 | 15823000004611 | Evaporator Assembly | 1 |
| 9.1 | 11201007000136 | Pipe Temperature Sensor | 1 |
| 9.2 | 15123000009807 | Evaporator outlet pipe subassembly | 1 |
| 9.3 | 15500404000005 | Pipe Nut | 1 |
| 9.4 | 15123000012647 | Evaporator inlet pipe subassembly | 1 |
| 9.5 | 15500209000002 | Pin Valve | 1 |
| 10 | 12223000008027 | Evaporator right support board subassembly | 1 |
| 12 | 12223000008867 | Water collector assembly | 1 |
| 12.1 | 12600801000543 | Rubber plug | 2 |
| 13 | 17223000A06762 | Duct Electronic Control Box Subassembly | 1 |
| 13.1 | 12223000011048 | Electronic control box | 1 |
| 13.3 | 17400401000080 | Wire Joint | 1 |
| 13.6 | 112010070000283 | Room Temperature Sensor | 1 |
| 13.7 | 17123000A03308 | Duct main control board subassembly | 1 |
| 13.10 | 17400306000055 | Reactor | 1 |
| 13.11 | 17122000031092 | Inverter Module Subassembly | 1 |
| 14 | 12223000008047 | Electric Control Box Cover | 1 |
| 15 | 12223000A03149 | Pipe clamp board subassembly | 1 |
| 16 | 17223000000003 | Duct Display Board Subassembly | 1 |
| 16.1 | 17123000002712 | Duct display board subassembly | 1 |
| 17 | 17317100A32744 | Wired controller | 1 |
| 18 | 12223000008871 | Rear cover subassembly | 1 |
| 19 | 12223000008028 | Top cover subassembly | 1 |
| 26 | 12223000000112 | Side Panel Strengthen Board | 1 |
| 34 | 112010050000006 | Water Level Sensor | 1 |
| 35 | 12623000000234 | Rubber tube | 1 |
| 36 | 11001010000063 | Induction Pump | 1 |
| 37 | 12223000A03150 | Exhaust pump subassembly | 1 |
| 38 | 121005100000021 | Drain Hose | 1 |
| 39 | 12622500000004 | Drain Pump Rubber Washer | 1 |
| 41 | 12622500000003 | Drain Pump Rubber Washer | 1 |
| 45 | 12600801000543 | Rubber plug | 1 |
| 46 | 12123000000981 | Filter | 1 |
| 50 | 17317000A61887 | Remote controller | 1 |
| 51 | 12122000029201 | Bracket of Remote Controller | 1 |
| 58 | 15500406000010 | Flare Nut | 1 |
| 59 | 15500406000003 | Flare Nut | 1 |
| 60 | 12223000008653 | Rear beam subassembly | 1 |
| 62 | 12223000008861 | Middle beam subassembly | 1 |
| 63 | 12223000008651 | Left clapboard subassembly | 1 |
| 63.1 | 12223000012927 | Hook | 2 |
| 64 | 12223000008650 | Right clapboard subassembly | 1 |
| 64.1 | 12223000012927 | Hook | 1 |
| 65 | 12223000008647 | Right Side Plate | 1 |
| 66 | 12223000008648 | Right clapboard subassembly | 1 |