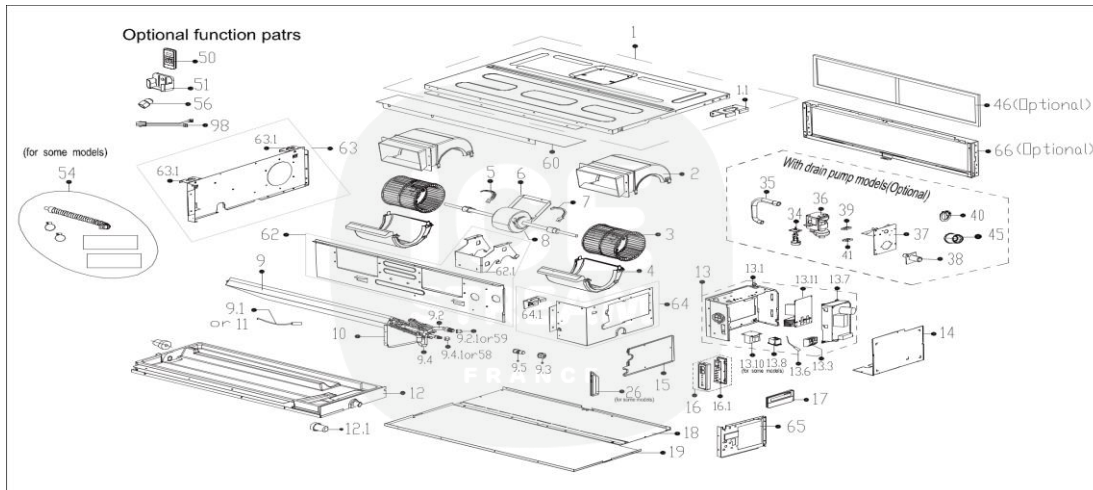




IDSV242DRIV2 - Unité intérieure - Vue éclatée/ Indoor Unit - Exploded View



IDSV242DRIV2	Pièces détachées/ Spare parts		
	Code	Pièces / Part Name	Quantité
1	1222300008569	Chassis subassembly	1
1.1	12223000012926	Hook	1
2	12123000002521	Top volute subassembly	2
3	12100103000586	centrifuge fan	2
4	12123000008086	bottom volute	2
5	12222500000253	Fan Motor Axes Clamp (Left)	1
6	12223000000537	Fan motor fixing board	1
7	12222500000255	Cover	1
8	11002015002521	Brushless DC Motor	1
9	15823000004563	Evaporator Assembly	1
9.1	11201007000136	Pipe Temperature Sensor	1
9.2	15123000008702	Evaporator outlet pipe subassembly	1
9.3	15500404000005	Pipe Nut	1
9.4	15123000011148	Evaporator inlet pipe subassembly	1
9.5	155002090000002	Pin Valve	1
10	12223000006644	Evaporator Right Support Board Subassembly	1
12	12223000008876	Water collector assembly	1
12.1	12600801000543	Rubber plug	2
13	17223000A06757	Duct Electronic Control Box Subassembly	1
13.1	12223000011047	Electronic control box	1
13.3	17400401000080	Wire Joint	1
13.6	112010070000283	Room Temperature Sensor	1
13.7	17123000A03305	Duct main control board subassembly	1
13.10	174003060000070	Reactor	1
13.11	17122000051662	Inverter Control Board Subassembly	1
14	12223000006641	Electric Control Box Cover	1
15	12223000A02730	Pipe clamp board subassembly	1
15	12223000008849	Pipe clamp board subassembly	1
16	17223000000003	Duct Display Board Subassembly	1
16.1	17123000002712	Duct display board subassembly	1
17	17317100A32744	Wired controller	1
18	12223000008888	Rear cover subassembly	1
19	12223000006648	Top cover subassembly	1
26	12223000006643	Right Clapboard Strengthen Board	1
34	112010050000006	Water Level Sensor	1
36	110010100000063	Induction Pump	1
37	12223000A03150	Exhaust pump subassembly	1
38	121005100000021	Drain Hose	1
39	126225000000004	Drain Pump Rubber Washer	1
41	126225000000003	Drain Pump Rubber Washer	1
45	12600801000543	Rubber plug	1
46	12123000000982	Air filter	1
50	17317000A61887	Remote controller	1
51	12122000029201	Bracket of Remote Controller	1
58	155004060000010	Flare Nut	1
59	155004060000003	Flare Nut	1
60	12223000008570	Front beam subassembly	1
62	12223000008875	Middle beam subassembly	1
63	12223000008568	Left clapboard subassembly	1
63.1	12223000012927	Hook	2
64	12223000008571	Right clapboard subassembly	1
64.1	12223000012927	Hook	1
65	12223000008114	Right Side Plate	1
66	12223000008109	Right clapboard subassembly	1