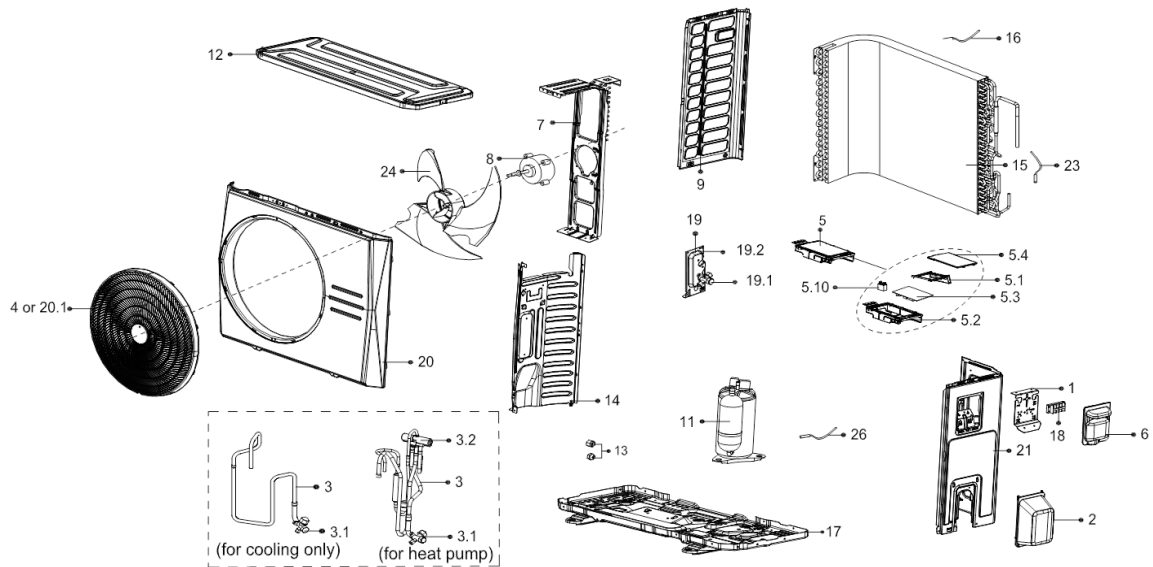




ISST242DRO - Outside unit - Exploded view



SPARE PARTS

	Code	Pieces
1	12222000004782	Terminal instalation subassembly
2	12122000007150	Water collector
3	15422000004833	4-way valve assembly
3.1	15500204000025	Gas valve
3.2	15500216000026	4-way Valve
4	12122000019341	Air outlet grille
5	17222000026151	Electronic control box subassembly
5.1	12122000014683	Support of electronic control box
5.2	12222000004827	Electronic installing box subassembly
5.3	17122000040116	Outdoor main control board subassembly
5.4	12122000006856	Electronic installing box subassembly
6	12100701000015	Big handle assembly
7	12222000004884	Supporter subassembly of fan motor
8	11002015000397	Brushless DC Motor
9	12222000004794	Left side plate assembly of cabinet
11	11103020000240	DC Inverter Rotary Compressor
12	12222000009205	Top cover assembly
13	15500406000010	Copper nut
13	15500406000003	Copper nut
14	12222000004784	Partition board assembly
15	15822000004516	Condenser Assembly
16	11201007002020	Room Temperature Sensor
17	12222000004823	Chassis assembly
18	17400401000016	Terminal
19	15422000004832	Liquid valve assembly
19.1	15500208000023	Liquid valve
19.2	12222000002571	Valve plate
20	12222000004822	Front panel
21	12222000004785	Right side plate
23	11201007000069	Pipe Temperature Sensor
24	12100105000181	Axial flow fan
25	17400306000058	Reactor
26	11201007000005	Discharge Temperature Sensor