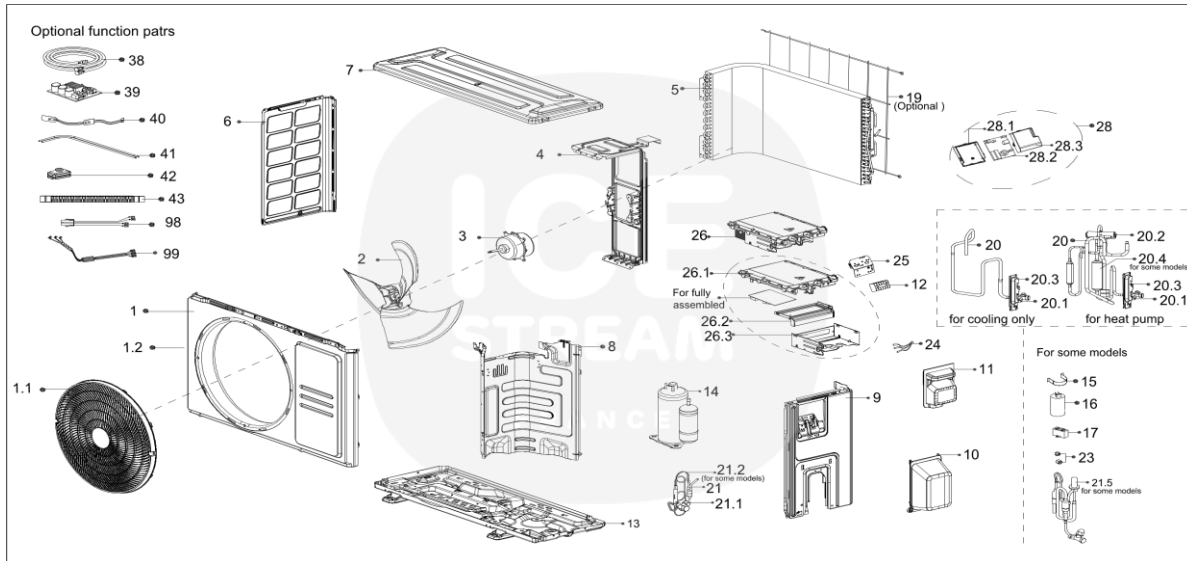




ISST182DROV2 - Unité extérieure - Vue éclatée/ Outdoor Unit - Exploded View



ISST182DROV2	Pièces détachées/ Spare parts		
	Code	Pièces / Part Name	Quantité
1	12222000013385	Front panel assembly	1
1.1	12122000026241	Air-Out Mesh Enclosure	1
1.2	12222000013386	Front panel	1
2	12100105000881	Axial Flow Fan	1
3	11002015012128	Brushless DC Motor	1
4	12222000013200	Motor Bracket	1
5	15822000013786	Condenser assembly	1
6	12222000013197	Left Side Panel	1
7	12222000019787	Top Cover Assembly	1
8	12222000013208	Partition Plate	1
9	12222000013190	Right Clapboard Assembly	1
10	12122000007150	Water Collector	1
11	12122000031166	Big Handle Assembly	1
12	17400401000016	Terminal	1
13	12222000013204	Chassis Assembly	1
14	111030200003919	DC Inverter Rotary Compressor	1
19	12222000013667	Rear net	1
20	15422000017792	Four-Way Valve Subassembly	1
20.1	15500204000058	Gas Valve	1
20.2	15500216001783	Four-Way Valve	1
20.3	12222200005738	Valve Plate	1
21	15422000018074	Liquid valve Assembly	1
21.1	15500208000028	High Pressure Valve	1
23	15500406000012	Flare Nut	1
23	15500406000016	Flare Nut	1
24	11201011000067	Combination Sensor	1
25	12222000002259	Terminal Board	1
26	17222000034394	Electronic control box subassembly	1
26.1	12122000024223	Support of Electronic Control Box	1
26.2	12122000024222	Fixing board	1
26.3	12222000012106	Electronic Installing Box Subassembly	1
36	16022000C51375	Trademark	1
43	12100509000059	Drain Pipe	1
99	17401203012697	Compressor Wires Subassembly	1