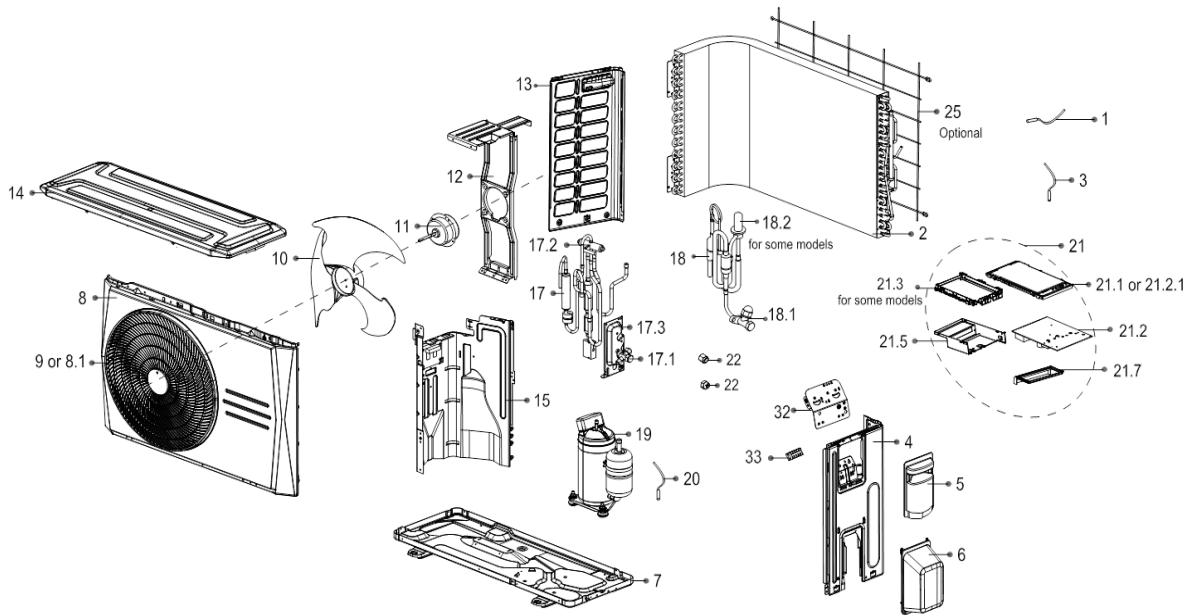




ISST182DRO - Outdoor unit - Exploded view



SPARE PARTS

	Code	Pieces
1	11201007002321	Room Temperature Sensor
2	15822000003520	Condenser assembly
3	11201007002320	Pipe Temperature Sensor
4	12222000004186	Right side plate
5	12100701000015	Big handle assembly
6	12122000007150	Water collector
7	12222000000711	Chassis Assembly
8	12222000A02014	Front panel assembly
9	12122000018941	Air outlet grille
10	12100105000051	Axial flow fan
11	11002015006761	Brushless DC Motor
12	12222000002154	Supporter subassembly of fan motor
13	12222000008484	Left side plate assembly of cabinet
14	12222000002451	Top cover assembly
15	12222000002230	Partition board
17	15422000013773	4-way valve assembly
17.1	15500204000058	Gas valve
17.2	15500216000026	4-way Valve
17.3	12222000002571	Valve plate
18	15422000010572	Liquid valve Assembly
18.1	15500208000028	Liquid valve
19	11103020003919	DC Inverter Rotary Compressor
20	11201007000005	Discharge Temperature Sensor
21	172220000026149	Electronic control box subassembly
21.1	12222000001455	Cover of electronic control box
21.2	17122000040112	Outdoor main control board subassembly
21.3	12122000006913	Support of electronic control box
21.5	12222000008644	Electronic installing box subassembly
21.7	12122000007073	Fixing board
22	15500406000012	Copper nut
22	15500406000016	Copper nut
32	12222000002259	Terminal board
33	17400401000016	Terminal