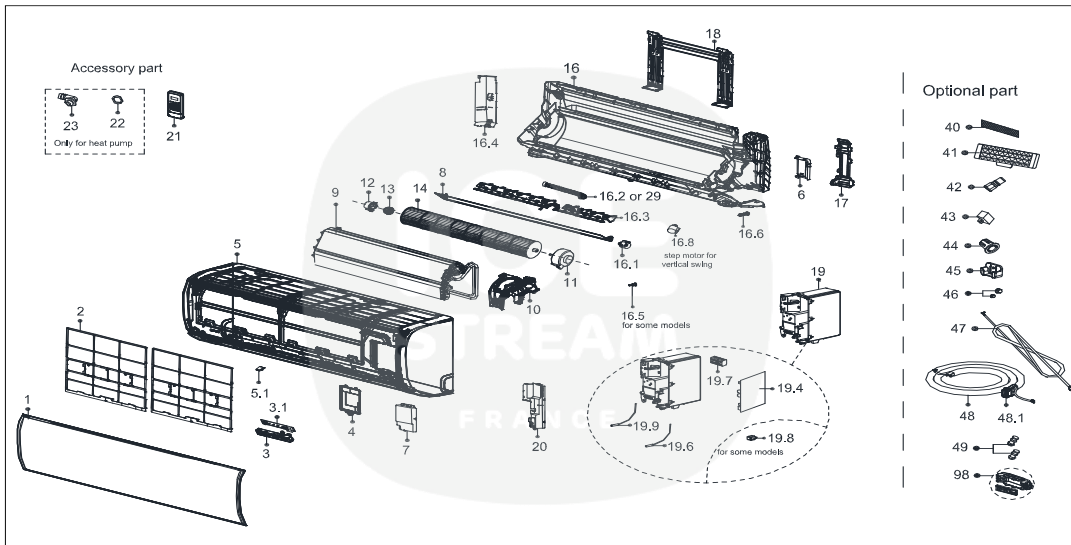




## ISST182DRI7V2 - Unité intérieure - Vue éclatée/ Indoor Unit - Exploded View



ISST182DRI7V2	Pièces détachées/ Spare parts		
	Code	Pièces / Part Name	Quantité
1	12122000A86720	Panel assembly	1
2	12100204001559	Air filter	2
3	17222000A40988	Display box subassembly	1
3.1	17122000A22268	Display board subassembly	1
4	12122000013131	Cover Plate	1
5	12122000013179	Panel frame assembly	1
5.1	12122000013139	Screw Cap	2
6	12122000013175	Front cover of chassis(right)	1
7	12122000013141	Cover of Electrical Equipment Subassembly	1
8	12122000013187	Horizontal louver	1
9	15822000008160	Evaporator assembly	1
10	12122000013176	Fan motor cover	1
11	11002015011867	Brushless DC Motor	1
12	12122000000350	Bearing Holder	1
13	12622000000131	Bearing components	1
14	12100102000131	Cross flow fan	1
16	12122000013181	Chassis assembly	1
16.1	11002010000143	Stepper Motor	1
16.2	12100501000032	Drain Hose	1
16.3	12122000013183	Horizontal louver	1
16.4	12122000013186	Front cover of chassis(left )	1
16.5	12122000000344	Insulated axis	1
16.7	12622000000030	Drainage plug	1
17	12122000013178	pipe clamp board	1
18	12222000005866	Installation plate	1
19	17222000034395	Electronic control box subassembly (Mid-and low-end)	1
19.4	17122000052164	Main control board subassembly	1
19.6	11201007003447	Pipe Temperature Sensor	1
19.7	17400401000094	Terminal	1
19.9	11201007003424	Room temperature sensor	1
20	12122000013132	Electrical Control Box Cover Subassembly	1
21	17317000A65092	Remote controller	1
22	12600701000039	seal ring	1
23	12100509000061	Drain hose	1
40	121002040000685	Air Freshening Filter	1
45	12122000029201	Bracket of remote Controller	1
46	15500406000012	Copper nut	1
46	15500406000016	Copper nut	1
51	17401202A00237	Power cord subassembly	1