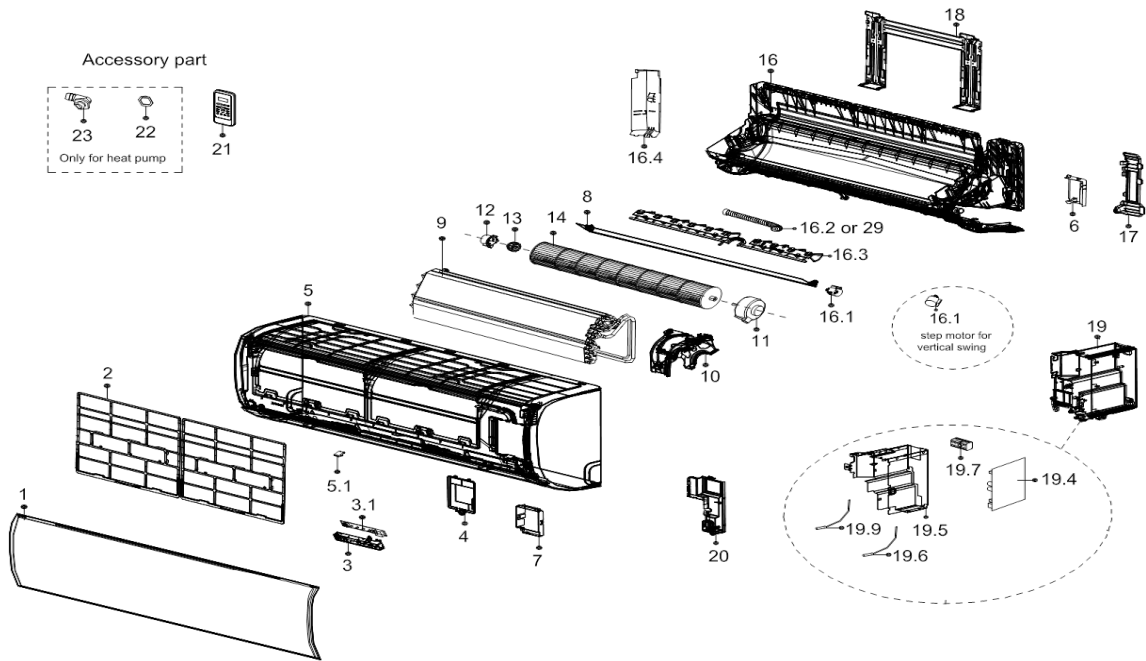




ISST182DRI - Indoor unit - Exploded view



SPARE PARTS

	Code	Pieces
1	12122000013173	Panel assembly
2	12100204001559	Air filter
3	17222000011249	Display box subassembly
3.1	17122000022028	Display board subassembly
4	12122000013131	Cover of electrical equipment
5	12122000013179	Panel frame assembly
5.1	12122000013139	Screw cap
6	12122000013175	Front cover of chassis(right)
7	12122000013141	Cover of electrical equipment subassembly
8	12122000013187	Horizontal louver
9	15822000006118	Evaporator Assembly
10	12122000013176	Fan motor cover
11	11002015000139	Brushless DC Motor
12	12122000000350	Bearing holder
13	12622000000006	Bearing base
14	12100102000131	Cross flow fan
16	12122000013181	Chassis assembly
16.1	11002010000143	stepper motor
16.3	12122000013183	Horizontal louver
16.4	12122000013186	Front cover of chassis(left)
17	12122000013178	pipe clamp board
18	12222000005866	Installation plate
19	17222000026150	Electronic control box subassembly (Mid-and low-end)
19.4	17122000040114	Main control board subassembly
19.5	12122000013001	Electronic control box subassembly
19.6	11201007000322	Pipe Temperature Sensor
19.7	17400401000094	Terminal
19.9	11201007000088	Room Temperature Sensor
20	12122000013132	Electrical Control Box Cover Subassembly
21	17317000000113	Remote controller
22	12600701000039	Seal ring
23	12100509000061	Drain hose
29	12100501000032	Drain Hose