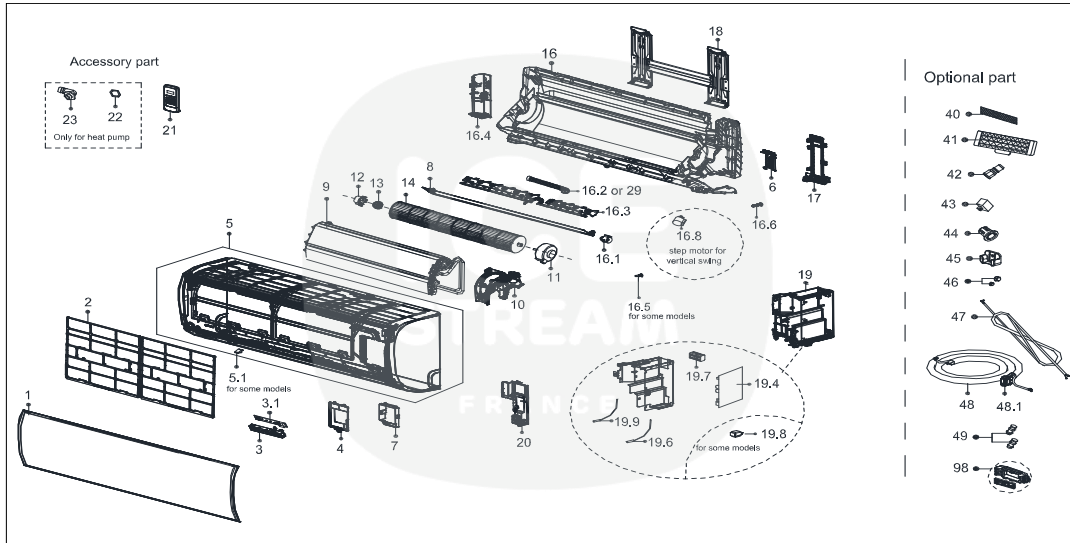




# ISST122DRI7V2 - Unité intérieure - Vue éclatée/ Indoor Unit - Exploded View



ISST122DRI7V2	Pièces détachées/ Spare parts		
	Code	Pièces / Part Name	Quantité
1	12122000A86725	Panel assembly	1
2	12122000015224	Filter	2
3	17222000A40988	Display box subassembly	1
3.1	17122000A22268	Display board subassembly	1
4	12122000013131	Cover Plate	1
5	12122000013170	Panel Frame Assembly	1
5.1	12122000013139	Screw Cap	2
6	12122000013140	Front Cover of Chassis(Right)	1
7	12122000013141	Cover of Electrical Equipment Subassembly	1
8	12122000013168	Louver Subassembly	1
9	15822000008180	Evaporator Assembly	1
10	12122000013129	Motor Cover	1
11	11002012031474	Single phase asynchronous motor	1
12	12122000000350	Bearing Holder	1
13	12622000000131	Bearing components	1
14	12100102000044	Cross Flow Fan	1
16	12122000032122	Chassis assembly	1
16.1	11002010000143	Stepper Motor	1
16.2	12100501000032	Drain Hose	1
16.3	12122000013167	Horizontal Louver	1
16.4	12122000013123	Front Cover of Chassis(Left )	1
16.5	12122000000344	Insulated axis	1
16.7	12622000000030	Drainage plug	1
17	12122000013136	pipe clamp board	1
18	12222000005844	Installation Plate	1
19	17222000A63751	Electronic control box subassembly (Mid-and low-end)	1
19.4	17122000A40490	Main control board subassembly	1
19.6	11201007003447	Pipe Temperature Sensor	1
19.7	17400401000094	Terminal	1
19.9	11201007003424	Room temperature sensor	1
20	12122000013132	Electrical Control Box Cover Subassembly	1
21	17317000A65092	Remote controller	1
22	12600701000039	seal ring	1
23	12100509000061	Drain hose	1
40	121002040000685	Air Freshening Filter	1
45	12122000029201	Bracket of remote Controller	1
46	15500406000010	Copper nut	1
46	15500406000016	Copper nut	1
51	17401202A00237	Power cord subassembly	1