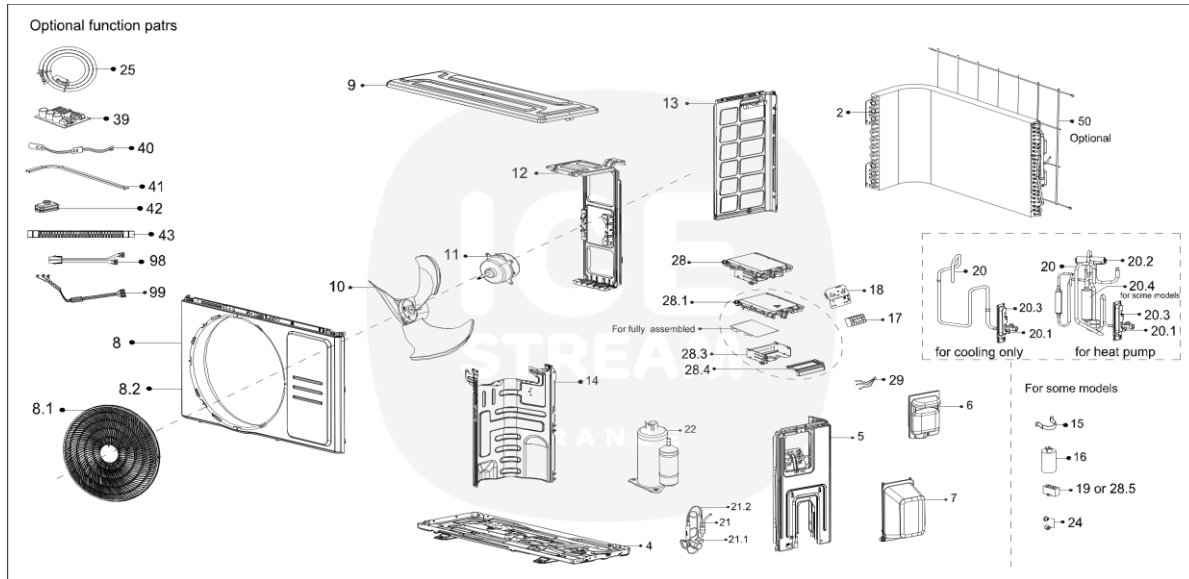




## ISST092DROV2 - Unité extérieure - Vue éclatée/ Outdoor Unit - Exploded View



ISST092DROV2	Pièces détachées/ Spare parts		
	Code	Pièces / Part Name	Quantité
2	15822000009658	Condenser Assembly	1
4	12222000012131	Chassis Assembly	1
5	12222000012141	Right Clapboard Assembly	1
6	12122000031166	Big Handle Assembly	1
7	12122000007150	Water Collector	1
8	12222000012137	Front Panel Assembly	1
8.1	12122000024226	Air-Out Mesh Enclosure	1
8.2	12222000012138	Front panel	1
9	12222000014305	Top Cover Assembly	1
10	12100105000821	Axial Flow Fan	1
11	11002015012128	Brushless DC Motor	1
12	12222000012390	Motor Bracket	1
13	12222000012135	Left Side Panel	1
14	12222000012266	Partition Plate	1
17	17400401000016	Terminal	1
18	12222000002259	Terminal Board	1
20	15422000017673	Four-Way Valve Subassembly	1
20.1	15500204000021	Gas Valve	1
20.2	15500216001903	Four-Way Valve	1
20.3	12222000002571	Valve Plate	1
20.4	15122000025014	Muffler Subassembly	1
21	15422000024115	Liquid valve Assembly	1
21.1	15500208000028	High Pressure Valve	1
21.2	15122000011174	Capillary	1
22	11103020005082	DC Inverter Rotary Compressor	1
24	15500406000010	Flare Nut	1
24	15500406000016	Flare Nut	1
28	17222000031157	Electronic Control Box Subassembly	1
28.1	12122000004223	Support of Electronic Control Box	1
28.3	12222000012106	Electronic Installing Box Subassembly	1
28.4	12122000024222	Fixing board	1
29	11201011000067	Combination Sensor	1
33	16022700A51859	Outdoor unit nameplate	1
43	12100509000059	Drain Pipe	1
50	12222000012385	Rear net	1
99	17401203012697	Compressor Wires Subassembly	1