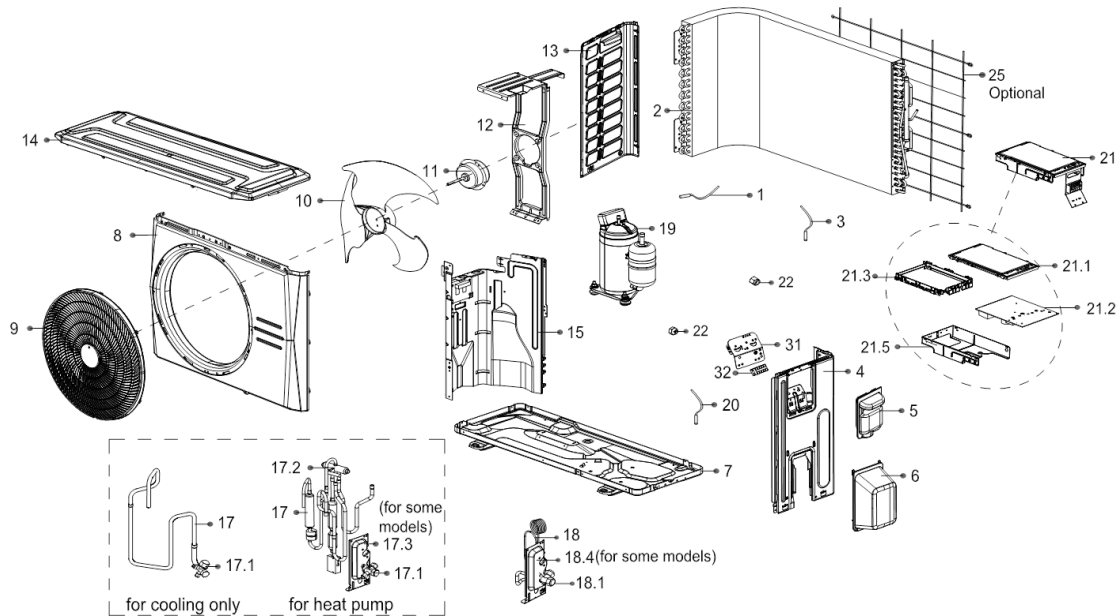




ISST092DRO - Outdoor unit - Exploded view



SPARE PARTS		
	Code	Pieces
1	11201007002321	Room Temperature Sensor
2	15822000007498	Condenser Assembly
3	11201007002320	Pipe Temperature Sensor
4	12222000005065	Right clapboard assembly
5	12100701000015	Big handle assembly
6	12122000007150	Water collector
7	12222000005064	Chassis assembly
8	12222000005067	Front panel assembly
9	12122000018941	Air outlet grille
10	12100105000721	Axial flow fan
11	11002015000039	Brushless DC Motor
12	12222000005068	Supporter subassembly of fan motor
13	12222000005066	Left supporter
14	12222000005072	Top cover assembly
15	12222000005223	Partition board
17	15422000007434	4-way Valve Assembly
17.1	15500204000014	Gas valve
17.2	15500216000028	4-way Valve
18	15422000014292	Liquid valve assembly
18.1	15500208000028	Liquid valve
18.4	12222000002571	Valve plate
19	11103020000279	DC Inverter Rotary Compressor
20	11201007000005	Discharge Temperature Sensor
21	17222000025994	Electronic control box subassembly
21.2	17122000040000	Outdoor main control board subassembly
21.2.1	12222000001455	Cover of electronic control box
21.2.2	12122000006913	Support of electronic control box
21.5	12222000001311	Electronic installing box subassembly
21.10	12122000007073	Fixing board
22	15500406000016	Copper nut
22	15500406000010	Copper nut
31	12222000005222	Installation plate of electric parts subassembly
32	17400401000016	Terminal