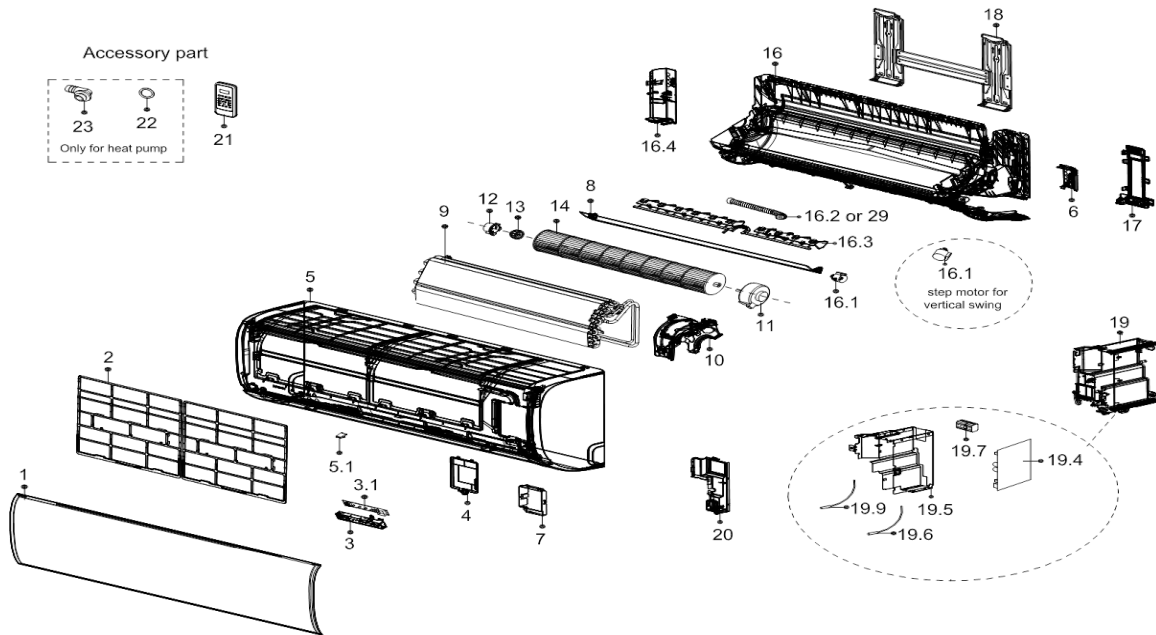




ISST092DRI - Indoor unit - Exploded view



SPARE PARTS

	Code	Pieces
1	12122000013161	Panel assembly
2	12122000015224	Air filter
3	17222000011249	Display box subassembly
3.1	17122000022028	Display board subassembly
4	12122000013131	Cover of electrical equipment
5	12122000013170	Panel frame assembly
5.1	12122000013139	Screw cap
6	12122000013140	Front cover of chassis(right)
7	12122000013141	Cover of electrical equipment subassembly
8	12122000013168	Horizontal louver assembly
9	15822000005796	Evaporator Assembly
10	12122000013129	Fan motor cover
11	11002012002778	Single phase asynchronous motor
12	12122000000350	Bearing holder
13	12622000000006	Bearing base
14	12100102000044	Cross flow fan
16	12122000013163	Chassis assembly
16.1	11002010000143	stepper motor
16.3	12122000013763	Horizontal louver
16.4	12122000013123	Front cover of chassis(left)
17	12122000013136	pipe clamp board
18	12222000005844	Installation Plate
19	17222000025993	Electronic control box subassembly (Mid-and low-end)
19.4	17122000039998	Main control board subassembly
19.5	12122000013001	Electronic control box subassembly
19.6	11201007000322	Pipe Temperature Sensor
19.7	17400401000094	Terminal
19.9	11201007000088	Room Temperature Sensor
20	12122000013132	Electrical Control Box Cover Subassembly
21	17317000000113	Remote controller
22	12600701000039	Seal ring
23	12100509000061	Drain hose
29	12100501000032	Drain Hose