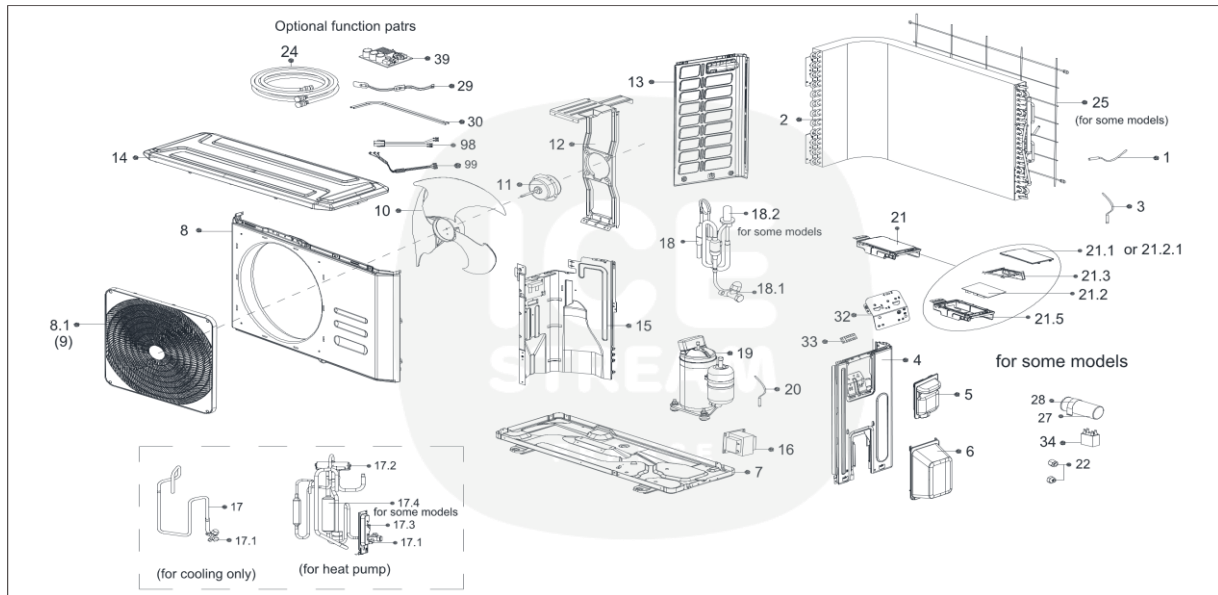




ISSP122DRO - Unité extérieure - Vue éclatée/ Outdoor Unit - Exploded View



ISSP122DRO	Pièces détachées/ Spare parts		
	Code	Pièces / Part Name	Quantité
1	11201007002020	Room Temperature Sensor	1
2	15822000008655	Condenser Assembly	1
3	11201007000069	Pipe Temperature Sensor	1
4	12222000004186	Right side plate	1
5	12100701A00057	Big Handle Assembly	1
6	12122000007150	Water Collector	1
7	12222000003983	Chassis Assembly	1
8	12222000A02014	Front panel assembly	1
9	12122000A26900	Air outlet grille	1
10	12100105000051	Axial Flow Fan	1
11	11002015008264	Brushless DC Motor	1
12	12222000002154	Motor Bracket Assembly	1
13	12222000008484	Left side plate assembly of cabinet	1
14	12222000002451	Top Cover Assembly	1
15	12222200001146	Partition board assembly	1
16	17400306000053	Reactor	1
17	15422000013012	4-way Valve Assembly	1
17.1	15500204000021	Gas Valve	1
17.2	15500216000026	Four-Way Valve	1
17.3	12222000002571	Valve Plate	1
17.4	15122200002744	Muffler subassembly	1
18	15422000012992	Liquid valve Assembly	1
18.1	15500208000028	High Pressure Valve	1
18.2	15500213000178	Electronic Expansion Valve	1
19	11103020003399	DC Inverter Rotary Compressor	1
20	11201007000005	Discharge Temperature Sensor	1
21	17222000029841	Electronic control box subassembly	1
21.2	17122000033454	Outdoor Main Control Board Subassembly	1
21.2.1	12122000006856	Electronic installing box subassembly	1
21.3	12122000014683	Support of electronic control box	1
21.5	12222000001325	Electronic installing box subassembly	1
22	15500406000010	Flare Nut	1
22	15500406000016	Flare Nut	1
29	17402001000603	Crankcase Electric Heating Strip	1
30	17402002000464	Heater	1
32	12222000002259	Terminal Board	1
33	17400401000016	Terminal	1
41	12100509000059	Drain Pipe	1
99	17401203000802	Compressor Wires Subassembly	1