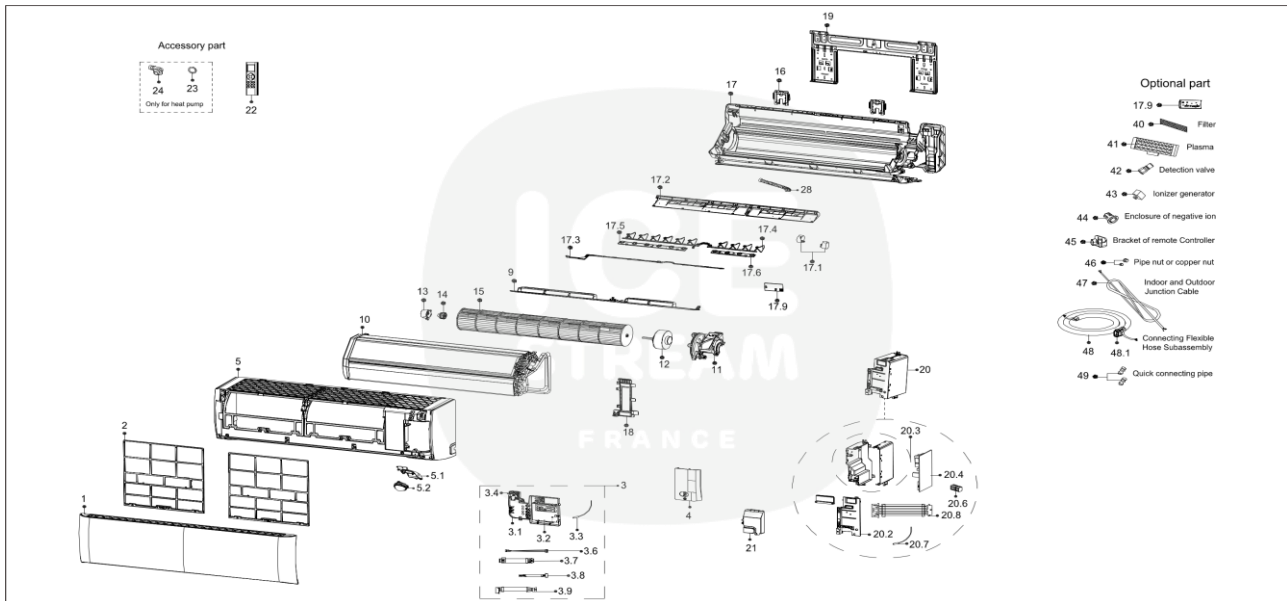




ISSP122DRI - Unité intérieure - Vue éclatée/ Indoor Unit - Exploded View



ISSP122DRI	Pièces détachées/ Spare parts		
	Code	Pièces / Part Name	Quantité
1	12122000A81904	Panel assembly	1
2	12122000017982	Filter	2
3	17222000027896	Display box subassembly	1
3.1	12122000020861	Display box	1
3.2	17122000042272	Display board subassembly	1
3.3	11201007003103	Room Temperature Sensor	1
3.4	17120100000394	Humidity Sensor Subassembly	1
3.6	17401204002105	Weak electric cable group (rohs)	1
3.7	17401204002164	Weak electric cable group (rohs)	1
3.8	17401204007464	Weak electric cable group (rohs)	1
3.9	17401204003984	Weak electric cable group (rohs)	1
4	12122000017981	Cover of electrical equipment	1
5	12122000017992	Panel frame assembly	1
5.1	12122000018201	Intelligent eye fixing seat	1
5.2	17422000000355	Smart Eye Subassembly	1
9	12122000017989	Horizontal louver assembly	1
10	15822000008646	Evaporator Assembly	1
11	12122000017990	Motor Cover	1
12	11002015000051	Brushless DC Motor	1
13	12122000000350	Bearing Sleeve	1
14	12622000000131	Bearing Block Assembly	1
15	12100102000436	Cross flow fan	1
16	12122000015241	Support plate	2
17	12122000017986	Chassis assembly	1
17.1	11002010000161	Stepper Motor	1
17.1	11002010000686	Stepper Motor	1
17.2	12122000017987	vortex tongue bar	1
17.3	12122000018202	Connecting rod of louver	1
17.3	12122000018222	Connecting rod of louver	1
17.4	12122000018203	drive Louver	10
17.5	12122000000318	Louver base	1
17.6	12122000000320	Louver base	1
17.9	12122000017983	Super ANION cover	1
18	12122000013136	pipe clamp board	1
19	12222000005042	Installation plate	1
20	17222000022188	Electronic control box subassembly (Mid-and low-end)	1
20.2	12122000017423	Electrical Control Box Cover Subassembly	1
20.3	12122000014682	Electronic Control Box Subassembly	1
20.4	17122000035189	Main control board subassembly	1