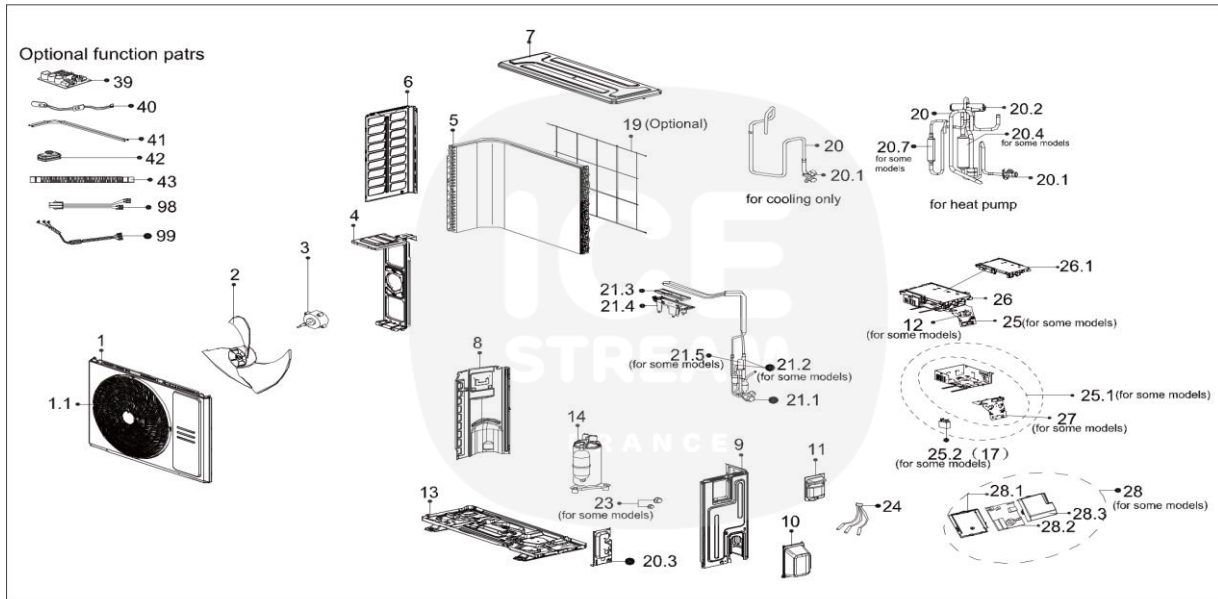




## ISSL182DRO - Unité extérieure - Vue éclatée/ Outdoor Unit - Exploded View



ISSL182DRO	Pièces détachées/ Spare parts		
	Code	Pièces / Part Name	Quantité
1	12222000013505	Front panel	1
1.1	12122000026421	Air-Out Mesh Enclosure	1
2	12100105000841	Axial Flow Fan	1
3	11002015000366	Brushless DC Motor	1
4	12222000016865	Supporter subassembly of fan motor	1
5	15822000009836	Condenser Assembly	1
6	12222000012929	Left Side Panel	1
7	12222200005737	Top Cover Assembly	1
8	12222000012366	Partition Plate	1
9	12222000012930	Right Clapboard Assembly	1
10	12122000007150	Water Collector	1
11	12122000031166	Big Handle Assembly	1
12	17400401000016	Terminal	1
13	12222000013647	Chassis Assembly	1
14	11103020006459	DC Inverter Rotary Compressor	1
19	12222000013085	Rear Net	1
20	15422000018615	4-way valve assembly	1
20.1	15500204000058	Gas Valve	1
20.2	15500216000026	Four-Way Valve	1
20.3	12222200005738	Valve Plate	1
20.4	15122000027215	Muffler subassembly	1
21	15422000018372	Liquid valve Assembly	1
21.1	15500208000028	High Pressure Valve	1
21.2	15500210003608	Throttle valve	1
21.3	11203803001176	Radiator	1
21.4	12122000011478	U-Typed Support with Copper Pipe	1
21.5	15500213000047	Electronic Expansion Valve Subassembly	1
23	15500406000012	Flare Nut	1
23	15500406000016	Flare Nut	1
24	11201011000188	Combination Sensor	1
25	17222000031763	Terminal Board Subassembly	1
26	17222000032758	Electronic control box subassembly	1
26.1	12122000008999	Electronic Installing Box	1
43	12100509000059	Drain Pipe	1
99	17401203012697	Compressor Wires Subassembly	1