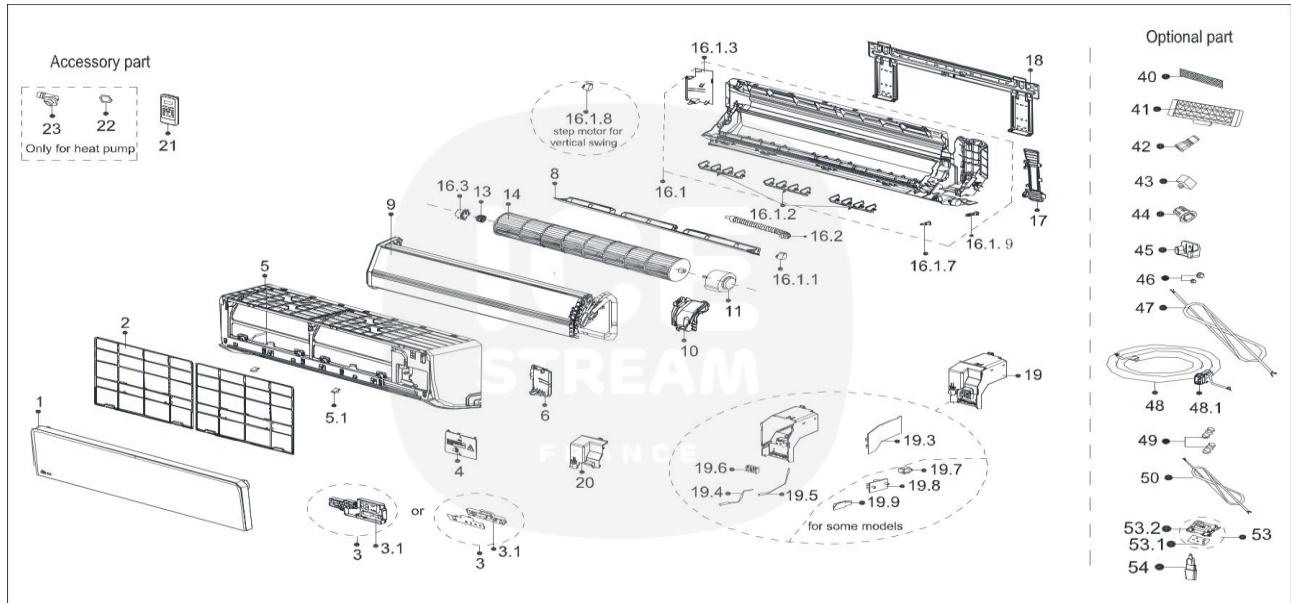




ISSAG242DRI - Unité intérieure - Vue éclatée/ Indoor Unit - Exploded View



| ISSAG242DRI | Pièces détachées/ Spare parts | | |
|-------------|-------------------------------|--|----------|
| | Code | Pièces / Part Name | Quantité |
| 1 | 12122000A91657 | Panel Assembly | 1 |
| 2 | 12100204000461 | Filter | 2 |
| 3 | 17222000A61698 | Display Box Subassembly | 1 |
| 3.1 | 17122000053172 | Display Board Subassembly | 1 |
| 4 | 12122000025611 | Cover Plate | 1 |
| 5 | 12122000025606 | Panel Frame Assembly | 1 |
| 5.1 | 12122000013139 | Screw Cap | 2 |
| 6 | 12122000004608 | Front Cover of Chassis(Right) | 1 |
| 7 | 12122000025617 | Cover Board For Wiring | 1 |
| 8 | 12122000025607 | Louver | 1 |
| 9 | 15822000008710 | Evaporator Assembly | 1 |
| 10 | 12122000005512 | Motor Cover | 1 |
| 11 | 11002015008646 | Brushless DC Motor | 1 |
| 13 | 12622000000131 | Bearing Block Assembly | 1 |
| 14 | 12100102000018 | Cross Flow Fan | 1 |
| 16 | 12122000025618 | Chassis Assembly | 1 |
| 16.1 | 12122000026445 | Chassis Assembly | 1 |
| 16.1.1 | 11002010000049 | Stepper Motor | 1 |
| 16.1.2 | 12122000000135 | Horizontal louver | 3 |
| 16.1.3 | 12122000004614 | Front Cover of Chassis | 1 |
| 16.1.6 | 12100501000032 | Drain Hose | 1 |
| 16.1.7 | 12122000000344 | Electricity Preventing Axis | 1 |
| 16.1.9 | 12622000000030 | Drainage plug | 1 |
| 16.3 | 12122000000350 | Bearing Sleeve | 1 |
| 17 | 12122000012942 | pipe clamp board | 1 |
| 18 | 12222000000026 | Installation Plate | 1 |
| 19 | 17222000A61717 | Electronic control box subassembly (Mid-and low-end) | 1 |
| 19.3 | 17122000053745 | Main Control Board Subassembly | 1 |
| 19.4 | 11201007003425 | Room Temperature Sensor | 1 |
| 19.5 | 11201007003445 | Pipe Temperature Sensor | 1 |
| 19.6 | 17400401000576 | Wire Joint | 1 |
| 20 | 12122000025610 | Cover of Electronic Control Box(BMC) | 1 |
| 21 | 17317000A61887 | Remote controller | 1 |
| 22 | 12600701000039 | Sealing Ring | 1 |
| 23 | 12100509000061 | Water Outlet Pipe | 1 |
| 40 | 121002040000685 | Cold Catalyst Air Filter | 1 |
| 45 | 12122000029201 | Bracket of Remote Controller | 1 |
| 46 | 15500406000003 | Flare Nut | 1 |
| 46 | 15500406000010 | Flare Nut | 1 |