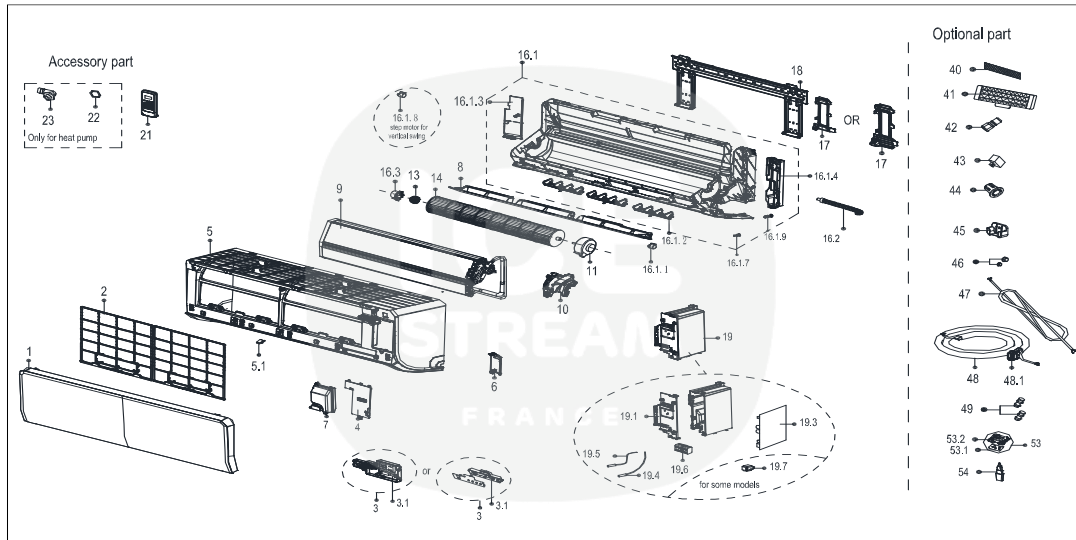




ISSAG182DRI - Unité intérieure - Vue éclatée/ Indoor Unit - Exploded View



ISSAG182DRI	Pièces détachées/ Spare parts		
	Code	Pièces / Part Name	Quantité
1	12122000A85180	Panel assembly	1
2	12100204000397	Air filter	2
3	17222000A61599	Display Box Subassembly	1
3.1	17122000052326	Display board subassembly	1
4	12122000024739	Cover of electrical equipment	1
5	12122000025561	Panel frame assembly	1
5.1	12122000013139	Screw Cap	1
6	12122000004592	Front cover of chassis(right)	1
7	12122000025064	Cover Board For Wiring	1
8	12122000025565	Horizontal louver	1
9	15822000008720	Evaporator assembly	1
10	12122000005538	Fan motor cover	1
11	11002015011867	Brushless DC Motor	1
13	12622000000131	Bearing components	1
14	12100102000131	Cross flow fan	1
16	12122000025646	Chassis assembly	1
16.1	12122000026402	Chassis assembly	1
16.1.1	11002010000077	Stepper Motor	1
16.1.2	12122000008961	Horizontal louver	3
16.1.3	12122000004612	Front cover of chassis(left)	1
16.1.4	12122000026403	Electrical Control Box holder	1
16.1.6	12100501000032	Drain Hose	1
16.1.7	12122000000344	Insulated axis	1
16.1.9	12622000000030	Drainage plug	1
16.3	12122000000350	Bearing Holder	1
17	12122000012941	pipe clamp board	1
18	12222000000026	Installation plate	1
19	17222000A61751	Electronic Control Box Subassembly (Mid-and Low-End)	1
19.1	12122000025621	Cover of Electronic Control Box(BMC)	1
19.3	17122000053747	Main control board subassembly	1
19.4	11201007003424	Room temperature sensor	1
19.5	11201007003447	Pipe Temperature Sensor	1
19.6	17400401000576	Wire Joint	1
21	17317000A61887	Remote controller	1
22	12600701000039	seal ring	1
23	12100509000061	Drain hose	1
40	12100204000685	Air Freshening Filter	1
45	12122000029201	Bracket of remote Controller	1
46	15500406000012	Copper nut	1