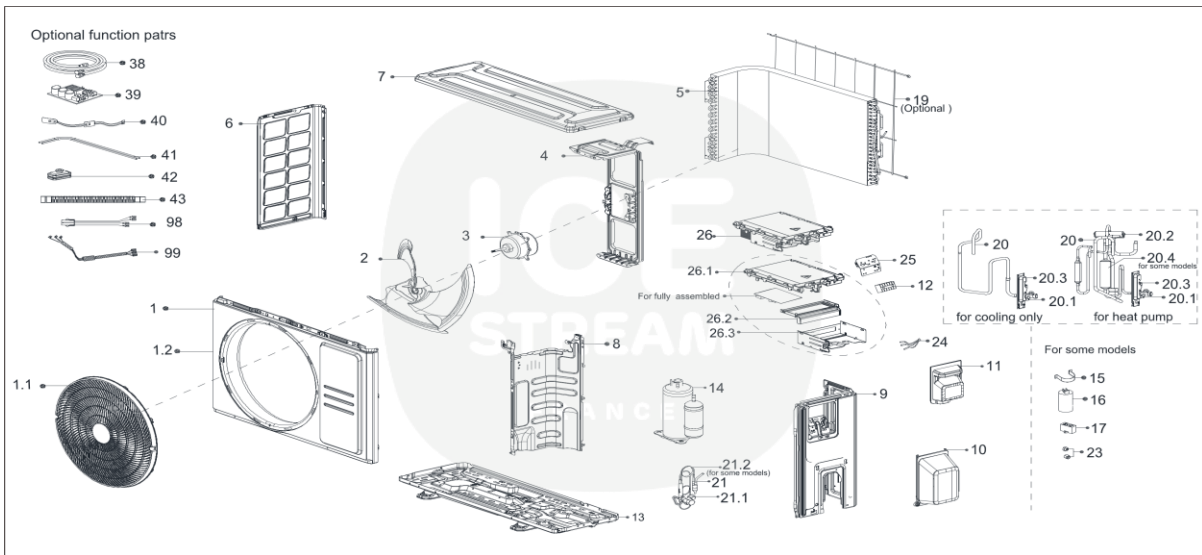




## ISSAG092DRO32 - Unité extérieure - Vue éclatée/ Outdoor Unit - Exploded View



ISSAG092DRO32	Pièces détachées/ Spare parts		
	Code	Pièces / Part Name	Quantité
1	12222000013304	Front panel assembly	1
1.1	12122000026241	Air-Out Mesh Enclosure	1
1.2	12222000013305	Front panel	1
2	12100105000961	Axial Flow Fan	1
3	11002015012128	Brushless DC Motor	1
4	12222000013233	Motor Bracket	1
5	15822000014035	Condenser assembly	1
6	12222000013238	Left Side Panel	1
7	12222000013240	Top Cover Assembly	1
8	12222000013232	Partition Plate	1
9	12222000013225	Right Clapboard Assembly	1
10	12122000007150	Water Collector	1
11	12122000031166	Big Handle Assembly	1
12	17400401000016	Terminal	1
13	12222000013228	Chassis Assembly	1
14	11103020006759	DC Inverter Rotary Compressor	1
19	12222000015606	Rear net	1
20	15422000017852	Four-Way Valve Subassembly	1
20.1	15500204000021	Gas Valve	1
20.2	15500216001903	Four-Way Valve	1
20.3	122222000005738	Valve Plate	1
20.4	15122000026302	Muffler Subassembly	1
21	15422000018812	Liquid valve assembly	1
21.1	155002080000028	High Pressure Valve	1
23	15500406000010	Flare Nut	1
23	15500406000016	Flare Nut	1
24	11201011000067	Combination Sensor	1
25	12222000002259	Terminal Board	1
26	17222000033095	Electronic control box subassembly	1
26.1	12122000024223	Support of Electronic Control Box	1
26.2	12122000024222	Fixing board	1
26.3	12222000012106	Electronic Installing Box Subassembly	1
36	16022000D09350	Trademark	1
43	121005090000059	Drain Pipe	1
99	17401203012697	Compressor Wires Subassembly	1