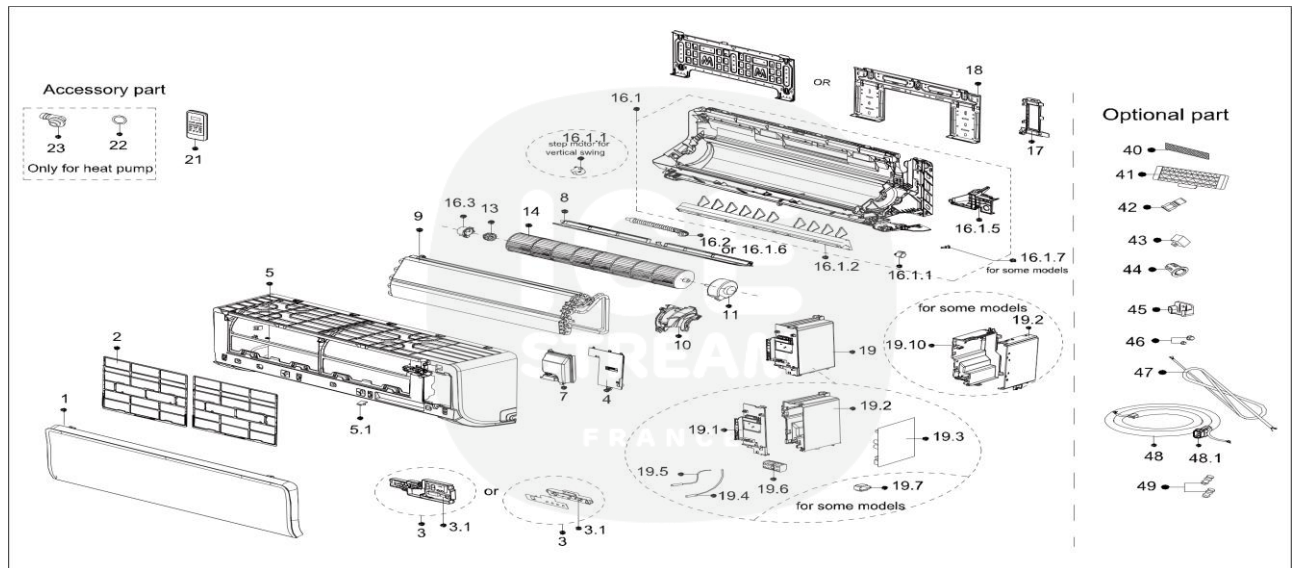




ISSAG092DRI32 - Unité intérieure - Vue éclatée/ Indoor Unit - Exploded View



ISSAG092DRI32	Pièces détachées/ Spare parts		
	Code	Pièces / Part Name	Quantité
1	12122000A84638	Panel assembly	1
2	12100204000522	Filter Assembly	2
3	17222000A61779	Display Box Subassembly	1
3.1	17122000052326	Display Board Subassembly	1
4	12122000024739	Cover Plate	1
5	12122000025543	Panel Frame Assembly	1
5.1	12122000013139	Screw Cap	1
7	12122000025064	Cover Board For Wiring	1
8	12122000025544	Louver Subassembly	1
9	15822000010276	Evaporator Assembly	1
10	12122000029503	Motor Cover	1
11	11002015012989	Brushless DC Motor	1
13	12622000000131	Bearing Block Assembly	1
14	12100102000576	Cross Flow Fan	1
16	12122000025981	Chassis Assembly	1
16.1	12122000026442	Chassis assembly	1
16.1.1	11002010000143	Stepper Motor	1
16.1.2	12122000024736	Vortex Tongue Bar	1
16.1.5	12122000024735	Anti mouse baffle	1
16.1.6	12100501000032	Drain Hose	1
16.1.7	12122000000344	Electricity Preventing Axis	1
16.1.9	12622000000030	Drainage plug	1
16.3	12122000000350	Bearing Sleeve	1
17	12122000012943	pipe clamp board	1
18	12222000000018	Installation Plate	1
19	17222000A62793	Electronic control box subassembly (Mid-and low-end)	1
19.1	12122000025621	Cover of Electronic Control Box(BMC)	1
19.3	17122000054903	Main Control Board Subassembly	1
19.4	11201007003424	Room Temperature Sensor	1
19.5	11201007003447	Pipe Temperature Sensor	1
19.6	17400401000576	Wire Joint	1
21	17317000A61887	Remote controller	1
22	12600701000039	Sealing Ring	1
23	12100509000061	Water Outlet Pipe	1
40	12100204000685	Cold Catalyst Air Filter	1
45	12122000029201	Bracket of Remote Controller	1
46	15500406000010	Flare Nut	1
46	15500406000016	Flare Nut	1
51	17401202A00237	Power cord subassembly	1