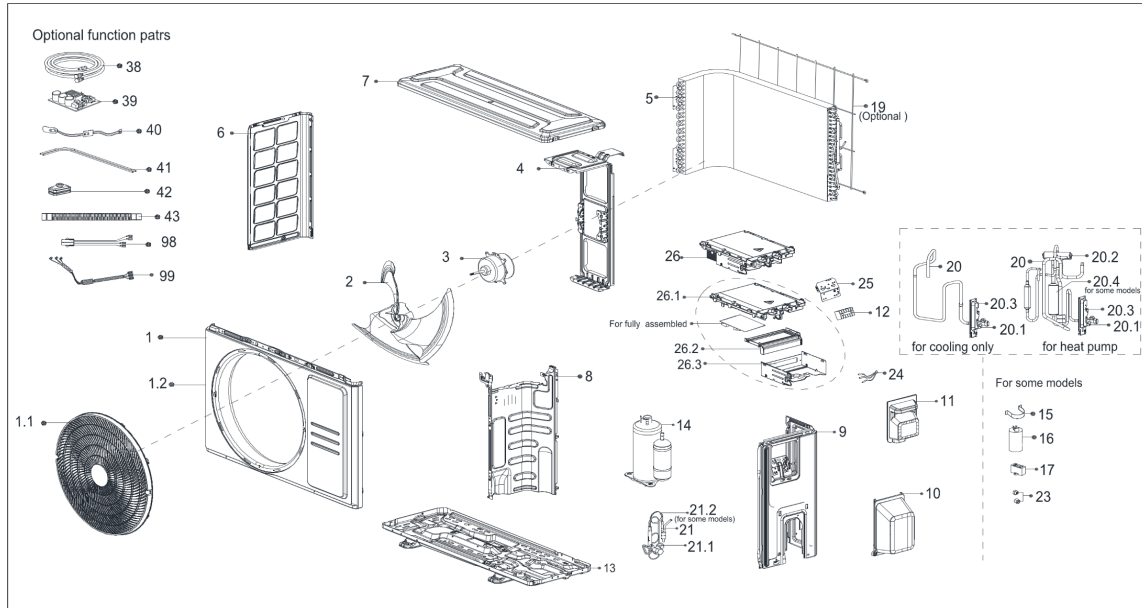




ISSAG12DRO32 - OUTDOOR UNIT - EXPLODED VIEW



SPARE PARTS

	Code	Pieces
1	12222000013304	Front panel assembly
1.1	12122000026241	Air outlet grille
1.2	12222000013305	Front panel
2	12100105000961	Axial flow fan
3	11002015012128	Brushless DC Motor
4	12222000013233	Supporter of fan motor
5	15822000010456	Condenser assembly
6	12222000013238	Left supporter
7	12222000013240	Top cover assembly
8	12222000013232	Partition board
9	12222000013225	Right clapboard assembly
10	12122000007150	Water collector
11	12122000027482	Big handle
12	17400401000016	Terminal
13	12222000013228	Chassis assembly
14	11103020006759	DC Inverter rotary compressor
20	15422000017852	4-way Valve Assembly
20.1	15500204000021	Gas valve
20.2	15500216001903	4-way valve
20.3	12222000005738	Valve plate
20.4	15122000026302	Muffler Subassembly
21	15422000018812	Liquid valve assembly
21.1	15500208000028	Liquid valve
23	15500406000010	Copper nut / 9.52mm(3/8in)
23	15500406000016	Copper nut / 6.35mm(1/4in)
24	11201011000067	Combination sensor
25	12222000002259	Terminal board
26	17222000033097	Electronic control box subassembly
26.1	12122000024223	Support of electronic control box
26.2	12122000024222	Fixing board
26.3	12222000012106	Electronic installing box subassembly
99	17401203012697	Compressor wire subassembly