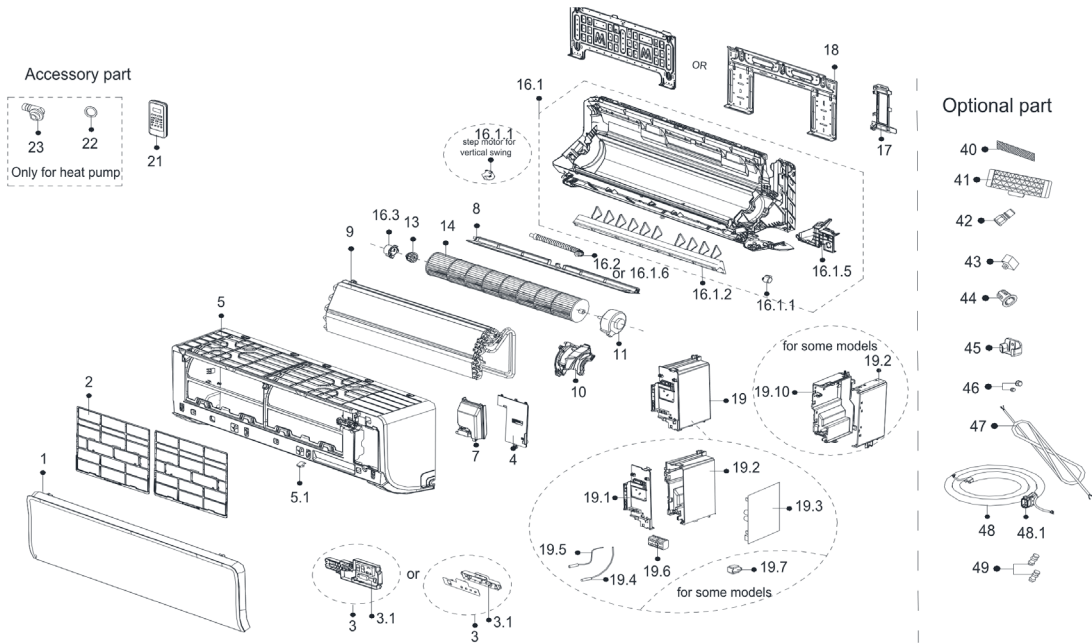




ISSAG092DRI32 - INDOOR UNIT - EXPLODED VIEW



SPARE PARTS		
	Code	Pieces
1	12122000025634	Panel assembly
2	12100204000522	Filter filter subassembly
3	17222000030895	Display box subassembly
3.1	17122000047923	Display board subassembly
4	12122000024739	Cover of electrical equipment
5	12122000025633	Panel frame assembly
5.1	12122000009477	Screw Cap
7	12122000025064	Cover board for wiring
8	12122000024721	Horizontal louver assembly
9	15822000010276	Evaporator assembly
10	12122000024722	Fan motor cover
11	11002015000150	Brushless DC Motor
13	12622000000131	Bearing components
14	12100102000576	Cross flow fan
16	12122000025981	Chassis assembly
16.1	12122000026442	Chassis assembly
16.1.1	11002010000143	Stepper motor
16.1.2	12122000024736	vortex tongue bar
16.1.5	12122000024735	Anti mouse baffle
16.1.6	12100501000032	Drain hose
16.3	12122000000350	Bearing holder
17	12122000012943	pipe clamp board
18	12222000000018	Installation plate
19	17222000031394	Electronic control box subassembly (Mid-and low-end)
19.1	12122000025621	Cover of electronic control box (BMC)
19.2	12122000024733	Electronic control box
19.3	17122000048504	Main control board subassembly
19.4	11201007003424	Room Temperature Sensor
19.5	11201007003447	Pipe Temperature Sensor
19.6	17400401000576	Wire joint
21	17317000007594	Remote controller
22	12600701000039	seal ring
23	12100509000061	Drain hose
40	12100204000685	Air freshening filter
46	15500406000016	Copper nut / 6.35mm(1/4in)
46	15500406000010	Copper nut / 9.52mm(3/8in)