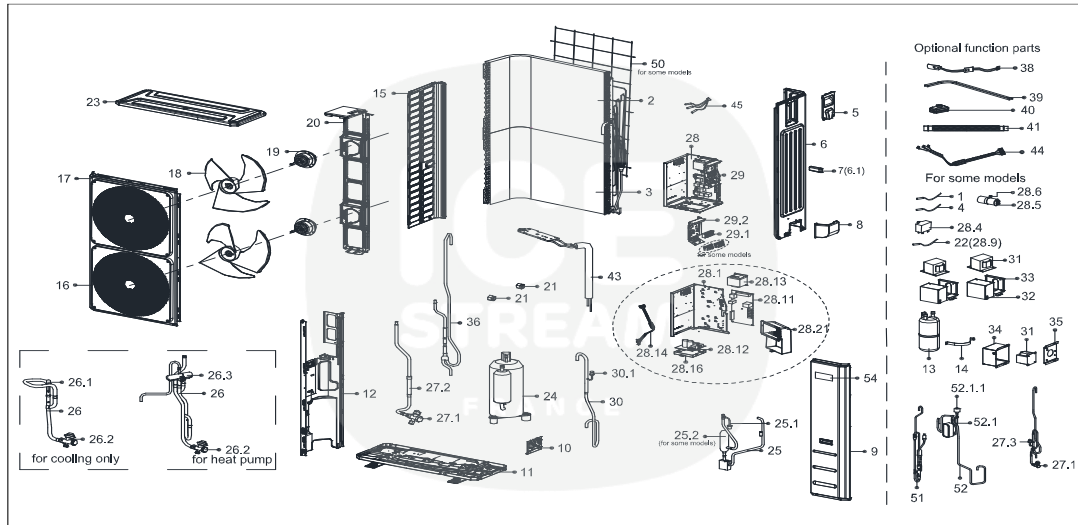




IOS602DROV2 - Unité extérieure - Vue éclatée/ Outdoor Unit - Exploded View



IOS602DROV2	Pièces détachées/ Spare parts		
	Code	Pièces / Part Name	Quantité
1	11201007003423	Room Temperature Sensor	1
2	15822000008314	Condenser Assembly	1
3	15822000008305	Condenser Assembly	1
4	11201007003439	Pipe Temperature Sensor	1
5	12222200001115	Big handle	1
6	12222000012373	Rear right clapboard assembly	1
6.1	12100702000038	Handle	1
8	12122000014023	Water collector	1
9	12222000006287	Front right clapboard assembly	1
10	12222200002361	Valve plate	1
11	12222000006290	Chassis assembly	1
12	12222000005733	Partition board assembly	1
13	15500508000009	Liquid-storage tank	1
15	12222200002363	Left side plate assembly of cabinet	1
16	12122000020244	Air outlet grille	2
17	12222000006291	Front panel	1
18	12100105000022	Axial flow fan	2
19	11002015009825	Brushless DC Motor	2
20	12222000006288	Supporter subassembly of fan motor	1
21	15500406000003	Copper nut	1
21	15500406000010	Copper nut	1
22	11201007003427	Discharge Temperature Sensor	1
23	12222200002359	Top cover assembly	1
24	11103020002859	DC Inverter Rotary Compressor	1
25	15122000027660	Discharge pipe assembly	1
25.1	17400516000851	Pressure Controller	1
26	15422000019174	4-way valve assembly	1
26.2	15500204000061	Gas valve	1
26.3	15500216000681	Four-Way Valve	1
27	15422000019292	Liquid valve assembly	1
27.1	15500208000286	Liquid Valve	1
27.2	15500210001888	Throttle valve	1
28	17222000A62671	Electronic control box subassembly	1
28.1	12222000012372	Installation Plate of Electric Parts Subassembly	1
28.11	17122000A39912	Outdoor main control board subassembly	1
28.12	17122000051506	Inverter module subassembly	1