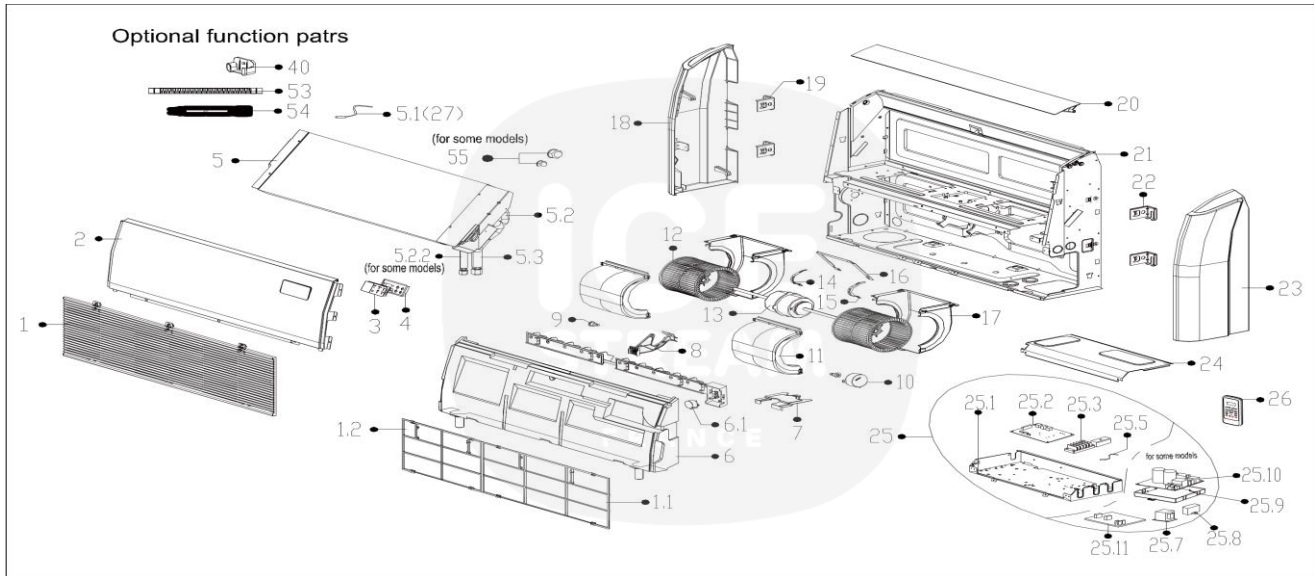




IFS242DRIV2 - Unité intérieure - Vue éclatée/ Indoor Unit - Exploded View



IFS242DRIV2	Pièces détachées/ Spare parts		
	Code	Pièces / Part Name	Quantité
1	12122700000100	Return Air Grille Subassembly	1
1.1	12100204000718	Air filter	1
1.2	12100204000719	Air filter	1
2	12222700A00038	Top cover	1
3	17122700A00001	Display board subassembly	1
4	12122700A00010	Display installation box	1
5	15822700001525	Evaporator Assembly	1
5.1	11201007000047	Pipe Temperature Sensor	1
5.2	15122700001699	Evaporator inlet pipe subassembly	1
5.3	15122700000185	Evaporator outlet pipe subassembly	1
6	12822700000010	Water collector subassembly	1
6.1	11002010000546	Stepper Motor	1
7	12222700000054	Display Board Installation Support	1
8	12122700000150	Supporter of louver	1
9	12122000000344	Electricity Preventing Axis	2
10	11002010000057	Stepper Motor	1
11	12122700000756	Volute Shell (Above)	2
12	12100103000165	Plastic Fan	2
13	11002015000344	Brushless DC Motor	1
14	12222500000255	Cover	1
15	12222500000253	Fan Motor Axes Clamp (Left)	1
16	12223000000537	Fan motor fixing board	1
17	12122700000755	Volute Shell (Below)	2
18	12122700000093	Cover Plate	1
19	12222700000018	Right hook	2
20	12122700000716	Louver Subassembly	1
21	12222700000229	Chassis assembly	1
22	12222700000016	Left Hook	2
23	12122700000087	Cover Plate	1
24	12222700000727	Cover of electronic control box subassembly	1
25	17222700A03515	Electronic control box subassembly	1
25.1	12222700001026	Electronic control box	1
25.2	17122700A02648	Main control board subassembly	1
25.3	17400401000097	Wire Joint	1
25.5	11201007002321	Room Temperature Sensor	1
25.7	17400306000020	Reactor	1
25.9	12122000014182	Electronic Installing Box	1
25.10	17122000049284	Inverter Module Subassembly	1
26	17317000A61887	Remote controller	1
40	12122000029201	Bracket of Remote Controller	1