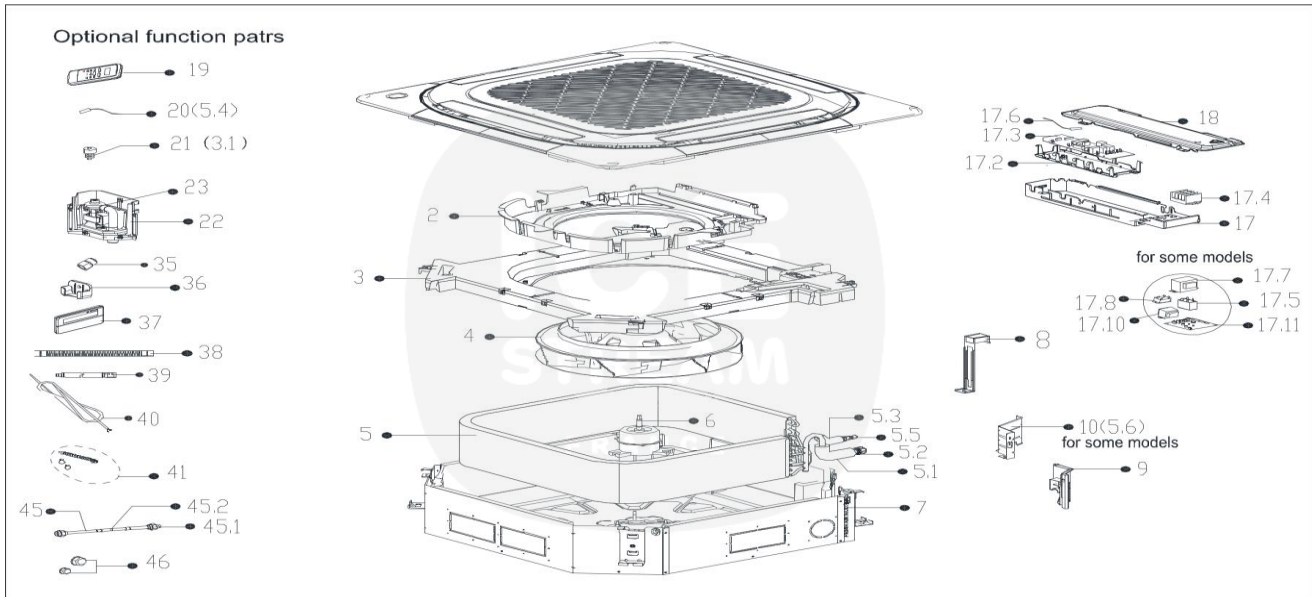




## IAS602DRIV2 - Unité intérieure - Vue éclatée/ Indoor Unit - Exploded View



| IAS602DRIV2 | Pièces détachées/ Spare parts |                                     |          |
|-------------|-------------------------------|-------------------------------------|----------|
|             | Code                          | Pièces / Part Name                  | Quantité |
| 2           | 12122500002029                | Ventilation ring                    | 1        |
| 3           | 12822500000450                | Drainage Pan Assembly               | 1        |
| 3.1         | 17400511001044                | Water Level Switch                  | 1        |
| 4           | 12100103001484                | Centrifugal Fan                     | 1        |
| 5           | 15822500002379                | Evaporator Assembly                 | 1        |
| 5.1         | 15122500003256                | Evaporator outlet pipe subassembly  | 1        |
| 5.2         | 15500404000005                | Pipe Nut                            | 1        |
| 5.3         | 15122500003257                | Evaporator inlet pipe subassembly   | 1        |
| 5.5         | 15500209000002                | Pin Valve                           | 1        |
| 5.6         | 12222500002092                | Evaporator fixing board subassembly | 1        |
| 6           | 11002015012308                | Brushless DC Motor                  | 1        |
| 7           | 12222500002052                | Chassis Assembly                    | 11       |
| 8           | 12222500000090                | Evaporator Fixing Hanger            | 2        |
| 9           | 12122500002028                | Pipe fixing board subassembly       | 1        |
| 17          | 17222500A04618                | Electronic control box subassembly  | 1        |
| 17.2        | 12122500002047                | Insulation Plate                    | 1        |
| 17.3        | 17122500A03212                | Main control board subassembly      | 1        |
| 17.4        | 17400401000032                | Terminal                            | 1        |
| 17.6        | 11201007003424                | Room Temperature Sensor             | 1        |
| 17.7        | 17400306001543                | Reactor                             | 1        |
| 17.11       | 17122000048868                | Humidity Sensor Subassembly         | 1        |
| 18          | 12222500002033                | Electric Control Box Cover          | 1        |
| 19          | 17317000A61887                | Remote controller                   | 1        |
| 20          | 11201007003442                | Pipe Temperature Sensor             | 1        |
| 22          | 12122500002027                | External Water Pump Box Assembly    | 1        |
| 23          | 11001010001757                | Induction Pump                      | 1        |
| 36          | 12122000029201                | Bracket of Remote Controller        | 1        |
| 37          | 17317100A32766                | Wired controller                    | 1        |
| 41          | 12011600005258                | Accessory kit                       | 1        |
| 46          | 15500406000003                | Flare Nut                           | 1        |
| 46          | 15500406000010                | Flare Nut                           | 1        |