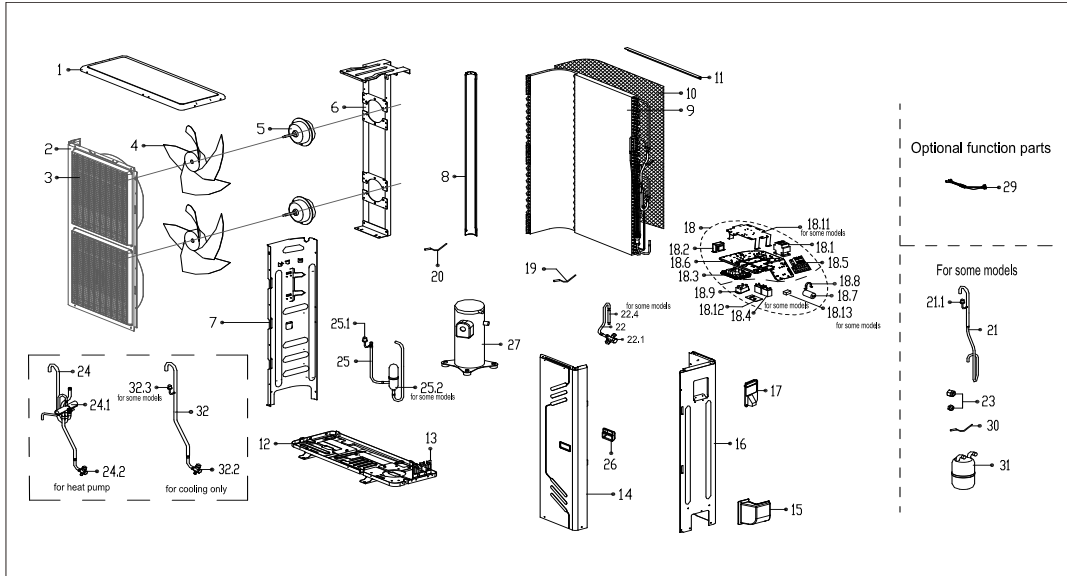


IFS 601.3 - UNITE EXTERIEURE - VUE ECLATEE/ OUTDOOR UNIT - EXPLODED VIEW



| PIECES DETACHEES/ SPARE PARTS | | | |
|-------------------------------|----------------|--|-------------------|
| | Code | Pièces / Part Name | Quantité/Quantity |
| 1 | 12223000003389 | Top cover | 1.0 |
| 2 | 12223000003516 | Front panel | 1.0 |
| 3 | 12223000003515 | Air outlet grille | 2.0 |
| 4 | 12100105000013 | Axial flow fan | 2.0 |
| 5 | 11002012000325 | Single phase asynchronous motor | 2.0 |
| 6 | 12223000003505 | Motor bracket assembly | 1.0 |
| 7 | 12223000003369 | Partition board | 1.0 |
| 8 | 12223000003336 | Left bracket | 1.0 |
| 9 | 15823000000892 | Condenser Assembly | 1.0 |
| 10 | 12123000000217 | Rear net | 1.0 |
| 11 | 12223000003519 | Rear strutbeam | 1.0 |
| 12 | 12223000003494 | Chassis Assembly | 1.0 |
| 13 | 12222200001713 | Valve plate | 1.0 |
| 14 | 12223000000012 | Front right clapboard assembly | 1.0 |
| 15 | 12122200002806 | Water collector | 1.0 |
| 16 | 12223000003645 | Rear right clapboard | 1.0 |
| 17 | 12100701000088 | Big handle assembly | 1.0 |
| 18 | 17222300000538 | E-Box subassembly | 1.0 |
| 18.1 | 11203502000004 | AC contactor | 1.0 |
| 18.2 | 11203103000200 | Linear Transformer | 1.0 |
| 18.3 | 17123000000800 | Main control board subassembly | 1.0 |
| 18.4 | 17400101000056 | Capacitor of fan motor | 2.0 |
| 18.5 | 17400401000057 | Terminal | 1.0 |
| 18.5 | 17400401000051 | Terminal | 2.0 |
| 18.5 | 17400401000025 | Terminal | 1.0 |
| 18.6 | 12223000003352 | Installation plate of electric parts subassembly | 1.0 |
| 19 | 11201007000006 | Pipe Temperature Sensor | 1.0 |
| 20 | 11201007000039 | Room Temperature Sensor | 1.0 |
| 21 | 15123000004817 | Suction pipe subassembly | 1.0 |
| 21.1 | 17400516000010 | Pressure switch | 1.0 |
| 22 | 15423000002158 | Liquid valve assembly | 1.0 |
| 22.1 | 15500204000021 | Gas valve | 1.0 |
| 22.4 | 15500210000669 | Throttle valve | 1.0 |
| 23 | 15500406000008 | Copper nut | 1.0 |
| 23 | 15500406000010 | Copper nut | 1.0 |
| 25 | 15122000020534 | Discharge pipe assembly | 1.0 |
| 25 | 15122000017614 | Discharge pipe assembly | 1.0 |
| 25.1 | 17400516000007 | Pressure switch | 1.0 |
| 26 | 12100702000047 | Small handle | 2.0 |
| 27 | 11102010000159 | Fixed speed scroll compressor | 1.0 |
| 29 | 17401203000729 | Compressor wire subassembly | 1.0 |
| 30 | 17400513000009 | Temperature controller | 1.0 |
| 31 | 15122000001593 | Separator | 1.0 |
| 32 | 15423000001274 | Gas valve assembly | 1.0 |
| 32.2 | 15500204000005 | Gas valve | 1.0 |