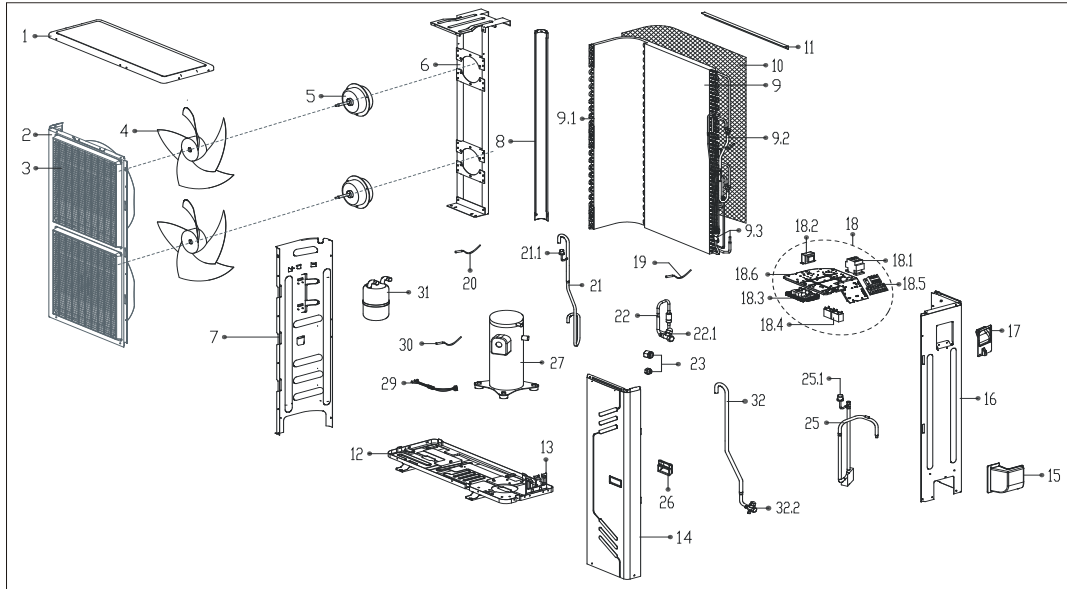


IFS 481.3 - UNITE EXTERIEURE - VUE ECLATEE/ OUTDOOR UNIT - EXPLODED VIEW



PIECES DETACHEES/ SPARE PARTS			
	Code	Pièces / Part Name	Quantité/Quantity
1	12223000003389	Top cover	1.0
2	12223000003516	Front panel	1.0
3	12223000003515	Air outlet grille	2.0
4	12100105000013	Axial flow fan	2.0
5	11002012000325	Single phase asynchronous motor	2.0
6	12223000003505	Motor bracket assembly	1.0
7	12223000003369	Partition board	1.0
8	12223000003336	Left bracket	1.0
9	15823000002042	Condenser assembly	1.0
10	12123000000217	Rear net	1.0
11	12223000003519	Rear strutbeam	1.0
12	12223000003494	Chassis Assembly	1.0
13	12222200001713	Valve plate	1.0
14	12223000000012	Front right clapboard assembly	1.0
15	12122200002806	Water collector	1.0
16	12223000003644	Rear right clapboard	1.0
17	12100701000088	Big handle assembly	1.0
18	17222300000538	E-Box subassembly	1.0
18.1	11203502000004	AC contactor	1.0
18.2	11203103000200	Linear Transformer	1.0
18.3	17123000000800	Main control board subassembly	1.0
18.4	17400101000056	Capacitor of fan motor	2.0
18.5	17400401000057	Terminal	1.0
18.5	17400401000051	Terminal	2.0
18.5	17400401000025	Terminal	1.0
18.6	12223000003352	Installation plate of electric parts subassembly	1.0
19	11201007000006	Pipe Temperature Sensor	1.0
20	11201007000039	Room Temperature Sensor	1.0
21	15123000004817	Suction pipe subassembly	1.0
21.1	17400516000010	Pressure switch	1.0
22	15423000002161	Liquid valve assembly	1.0
22.1	15500204000021	Gas valve	1.0
22.4	15500210001089	Throttle valve	1.0
23	15500406000010	Copper nut	1.0
23	15500406000008	Copper nut	1.0
25	15123000004781	Compressor discharge pipe	1.0
25	15122000017614	Discharge pipe assembly	1.0
25.1	17400516000007	Pressure switch	1.0
26	12100702000047	Small handle	2.0
27	11102010000156	Fixed speed scroll compressor	1.0
29	17401203000729	Compressor wire subassembly	1.0
30	17400513000009	Temperature controller	1.0
31	15122000001593	Separator	1.0
32	15423000001274	Gas valve assembly	1.0
32.2	15500204000005	Gas valve	1.0
49	15823000002037	Condenser assembly	1.0