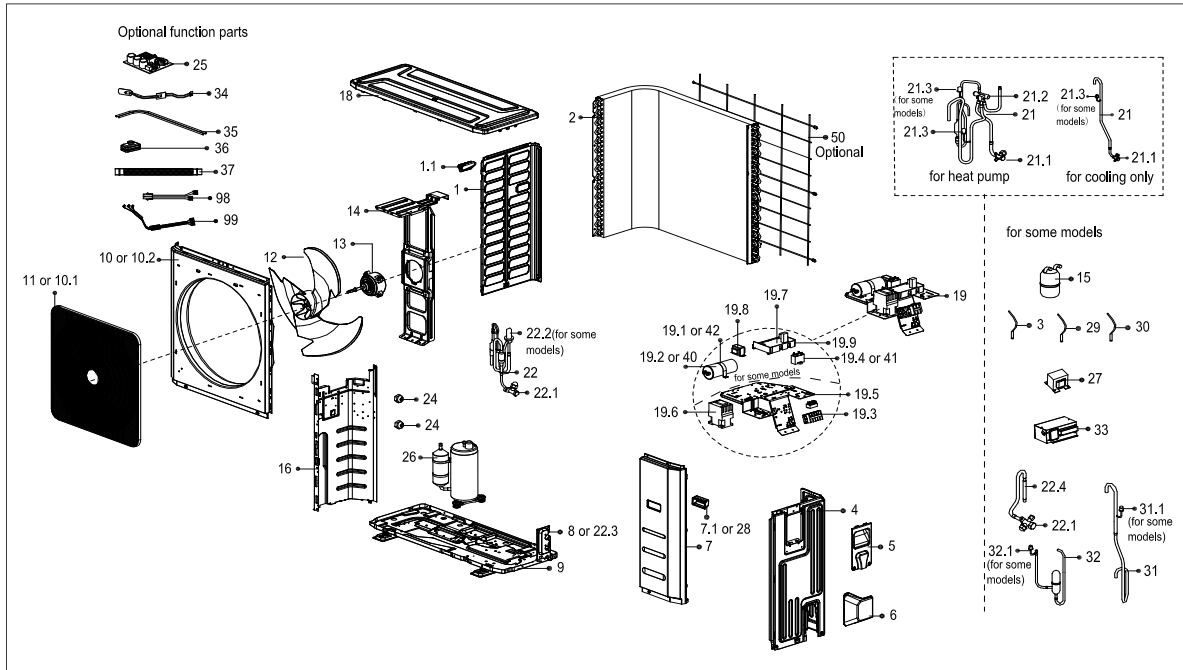


IFS 361.3 - UNITE EXTERIEURE - VUE ECLATEE/ OUTDOOR UNIT - EXPLODED VIEW



PIECES DETACHEES/ SPARE PARTS			
	Code	PIECES / Part Name	Quantité/Quantity
1	12222500000539	Leftside plate assembly	1
1.1	12100701000033	Small Handle	1
2	15822500000459	Condenser Assembly	1
4	12222500000534	Rear right clapboard assembly	1
5	12222200001115	Big handle	1
6	12122200002695	Water collector	1
7	12222500000633	Front right clapboard assembly	1
7.1	12100702000038	handle	1
9	12222000004922	Chassis assembly	1
10	12222000004983	Front panel	1
11	12122200004160	Air outlet grille	1
12	12100105000281	Axial flow fan	1
13	11002012014722	Single phase asynchronous motor	1
14	12222500001052	Supporter subassembly of fan motor	1
16	12222200001161	Partition board assembly	1
18	12222500000541	Top cover	1
19	17223000003657	Electronic control box subassembly	1
19.1	12200203000008	Capacitor clip	1
19.2	17400103000027	Capacitor of compressor	1
19.3	17400401000019	Terminal	1
19.3	17400401000012	Terminal	1
19.5	12222200001098	Electric Component Mounted Board subassembly	1
19.6	11203502000004	AC contactor	1
19.7	17123000000792	Main control board subassembly	1
19.8	11203103000200	Linear Transformer	1
21	15422000010792	Gas valve assembly	1
21.1	15500204000022	Gas valve	1
22	15422000005752	Liquid valve assembly	1
22.1	15500204000021	Gas valve	1
22.3	12222200000611	Valve plate	1
22.4	15500210001368	Throttle valve	1
24	15500406000010	Copper nut	1
24	15500406000008	Copper nut	1
26	11102010000818	Fixed Speed Scroll Compressor	1
32	15122500002116	Discharge pipe assembly	1
32.1	17400516000007	Pressure switch	1
99	17401203000767	Compressor wire subassembly	1