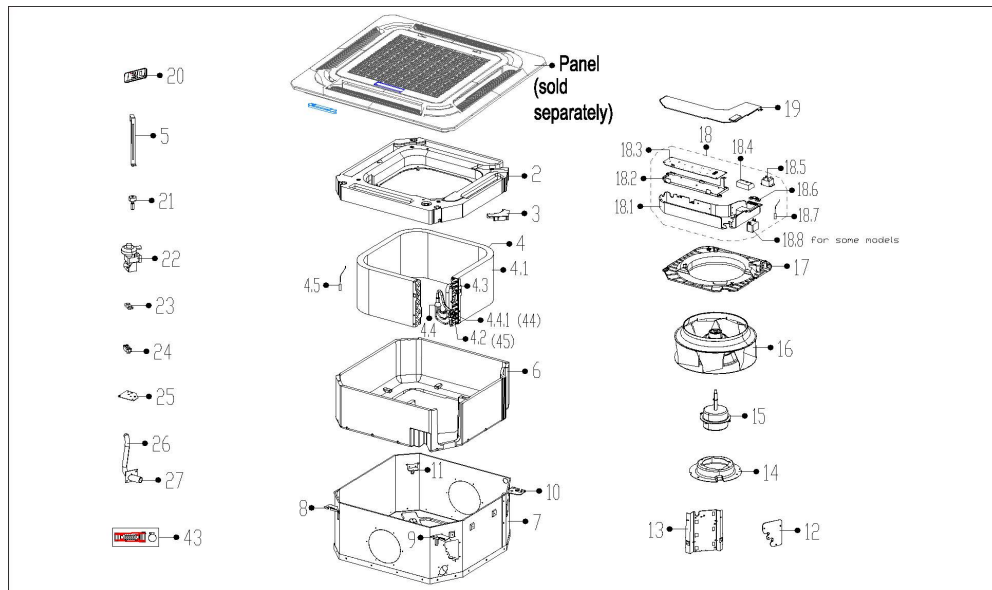




IAS182DRIV2 - INDOOR UNIT - EXPLODED VIEW



SPARE PARTS		
	Code	Pieces
2	1282250000017	Water collector assembly
3	1212250000022	Wire box
4	15822500001723	Evaporator assembly
4.1	15822500001602	Evaporator
4.2	15122500002900	Evaporator inlet pipe subassembly
4.3	15122500002226	Evaporator outlet pipe subassembly
4.4	15122500002900	Evaporator inlet pipe subassembly
4.5	11201007002320	Pipe Temperature Sensor
5	12222500000093	Evaporator fixing hanger
6	12822500000005	Base foam subassembly
7	12222500000224	Chassis assembly
8	12222500000191	Hook
9	12222500000192	Hook
10	12222500000190	Hook
11	12222500000193	Hook
12	12122500000330	Pipe fixing board subassembly
13	12222500000197	Evaporator connecting board
14	12222500000199	Fan motor base
15	11002015000069	Brushless DC Motor
16	12100103000089	centrifuge fan
17	12122500000425	Ventilation ring
18	17222500003361	Electronic control box subassembly
18.1	12222500000165	Electronic control box
18.2	12122500000029	Insulation plate
18.3	17122500004133	Main control board subassembly
18.4	17400401000097	Wire joint
18.6	12200202000004	Wire clamp
18.7	11201007000283	Room Temperature Sensor
19	12222500000209	Electrical Control Box Cover Subassembly
20	17317000A61887	Remote controller
21	17400511000015	Water level sensor
22	11001010000063	Water pump
23	12622500000005	Drain pump rubber washer
24	12622500000003	Drain pump rubber washer
25	12222500000352	Drain pump installation base
26	12622500000012	Rubber tube
27	12100510000019	Drain pipe
38	12117000A29076	Bracket of remote Controller
39	17317100A32506	Wired controller
44	15500406000016	Copper nut
45	15500406000012	Copper nut